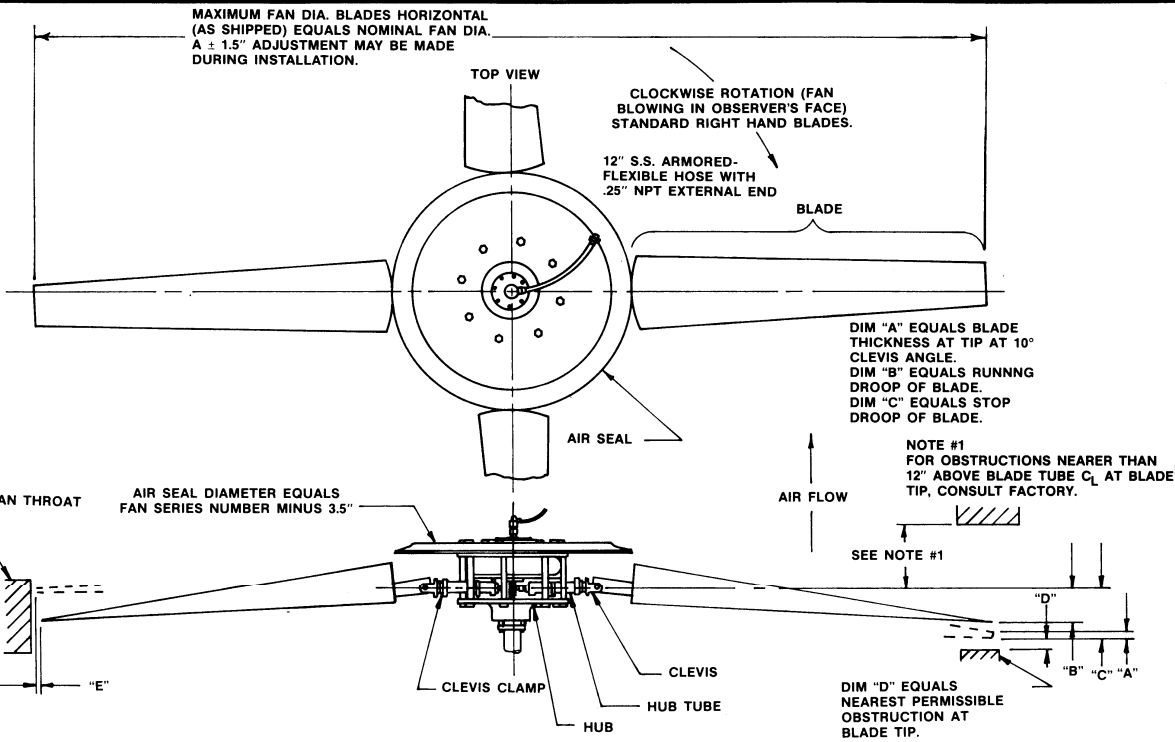


CLASS 5000 SERIES 40 PRESSURE BLOWER

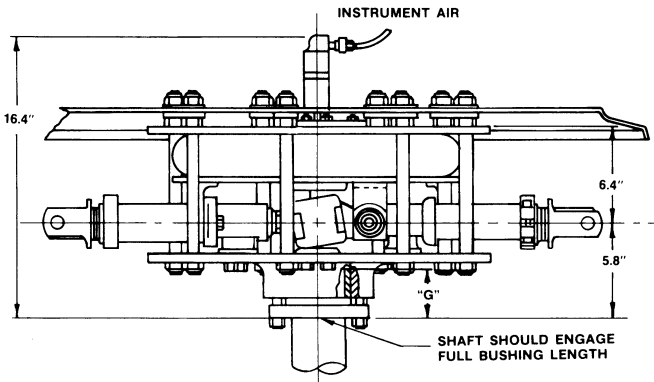


DIM "E" EQUALS DECREASE FROM MAXIMUM RADIUS OF BLADE (HORIZONTAL) TO RUNNING DROOP.

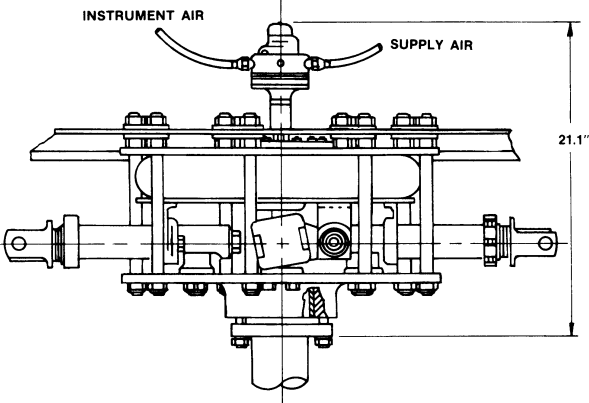
DIM "A" EQUALS BLADE THICKNESS AT TIP AT 10° CLEVIS ANGLE.
 DIM "B" EQUALS RUNNING DROOP OF BLADE.
 DIM "C" EQUALS STOP DROOP OF BLADE.

NOTE #1 FOR OBSTRUCTIONS NEARER THAN 12" ABOVE BLADE TUBE CL AT BLADE TIP, CONSULT FACTORY.

DIM "D" EQUALS NEAREST PERMISSIBLE OBSTRUCTION AT BLADE TIP.



5440 CS HUB (STANDARD)



5440 CSP HUB ALTERNATE WHEN POSITIONER REQUIRED

BUSHING TYPE	MAX* BORE	MAX** BORE	DIM "G"
SF	2.313"	2.688"(60mm)	2.1"
E	2.875"	3.50"(80mm)	2.7"

*MAXIMUM BORE DIMENSIONS ARE WITH U.S. STANDARD SQUARE KEY
 **MAXIMUM BORE DIMENSIONS ARE WITH U.S. STANDARD SHALLOW KEYWAY
 MAXIMUM NUMBER OF BLADES - 8

LETTER DIMENSIONS MAY VARY WITH BLADE ANGLE AND LOADING

NOTES	WITH FAN OPERATING AT 12000 FT./MINUTE BLADE TIP SPEED						
	FAN DIA.	DIM A	PERCENT OF BLADE LOAD		DIM C	DIM D	DIM E
			100%	75%			
	6'	3.0"	2.2"	1.9"	4.4"	1.3"	.10"
	7'	2.7"	2.8"	2.3"	5.3"	1.6"	.13"
	8'	2.2"	3.3"	2.8"	6.2"	1.9"	.17"
	9'	1.7"	4.0"	3.2"	7.1"	2.1"	.20"
	10'	1.4"	4.8"	3.8"	8.1"	2.4"	.25"
	11'	1.3"	5.6"	4.4"	9.0"	2.7"	.31"
	12'	1.2"	6.6"	5.2"	10.0"	3.0"	.38"
	13'	1.1"	7.7"	6.0"	11.0"	3.3"	.47"
	14'	1.0"	8.9"	7.0"	11.9"	3.6"	.59"

SERIES 40 PRESSURE BLOWER



ARRANGEMENT CS AND CSP AUTOMATIC

CLASS 5000

COMPANY