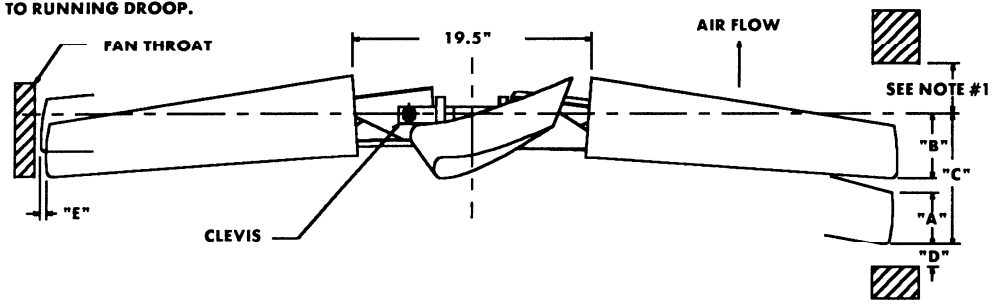


DIM "E" EQUALS DECREASE FROM MAXIMUM RADIUS OF BLADE (HORIZONTAL) TO RUNNING DROOP.

NOTE #1 FOR OBSTRUCTIONS NEARER THAN 12" ABOVE BLADE TUBE CENTERLINE AT BLADE TIP, CONSULT FACTORY.

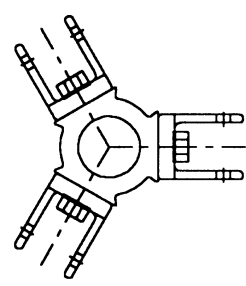
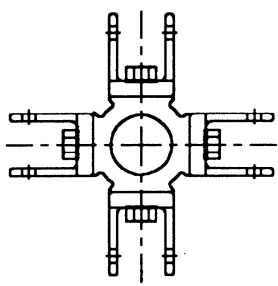


DIM "A" EQUALS BLADE THICKNESS AT TIP OF 10-DEGREE CLEVIS ANGLE.

DIM "B" EQUALS RUNNING DROOP OF BLADES.

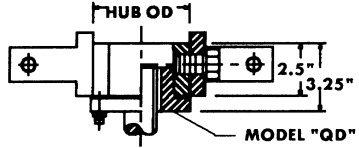
DIM "C" EQUALS STOP DROOP OF BLADES.

DIM "D" EQUALS NEAREST PERMISSIBLE OBSTRUCTION.

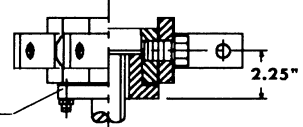


HUB O.D.	MAX* BORE	MAX** BORE	BUSHING TYPE
5.0"	2.313"	2.688" (60mm)	SF

* WITH U.S. STANDARD SQUARE KEY
 ** WITH U.S. STANDARD SHALLOW KEYWAY



2 OR 4 BLADE HUB



3 BLADE HUB

SHAFT BY OTHERS SHOULD GO COMPLETELY THROUGH THE LENGTH OF THE "QD" BUSHING.

LETTER DIMENSIONS MAY VARY WITH BLADE ANGLE AND LOADING

NOTES	WITH FAN OPERATING AT 12000 FT/MIN BLADE TIP SPEED						
	FAN DIA	DIM A	BLADE LOAD		DIM C	DIM D	DIM E
			100%	75%			
	3'	2.3"	1.5"	1.4"	3.6"	1.0"	.04"
	4'	2.0"	1.6"	1.5"	3.7"	1.0"	.04"
	5'	1.8"	1.7"	1.6"	3.8"	1.0"	.05"
	6'	1.5"	2.0"	1.7"	4.1"	1.0"	.05"
	7'	1.3"	2.2"	1.9"	4.4"	1.0"	.06"

SERIES 19 PRESSURE BLOWER

CLASS 5000



MANUAL ADJUSTMENT