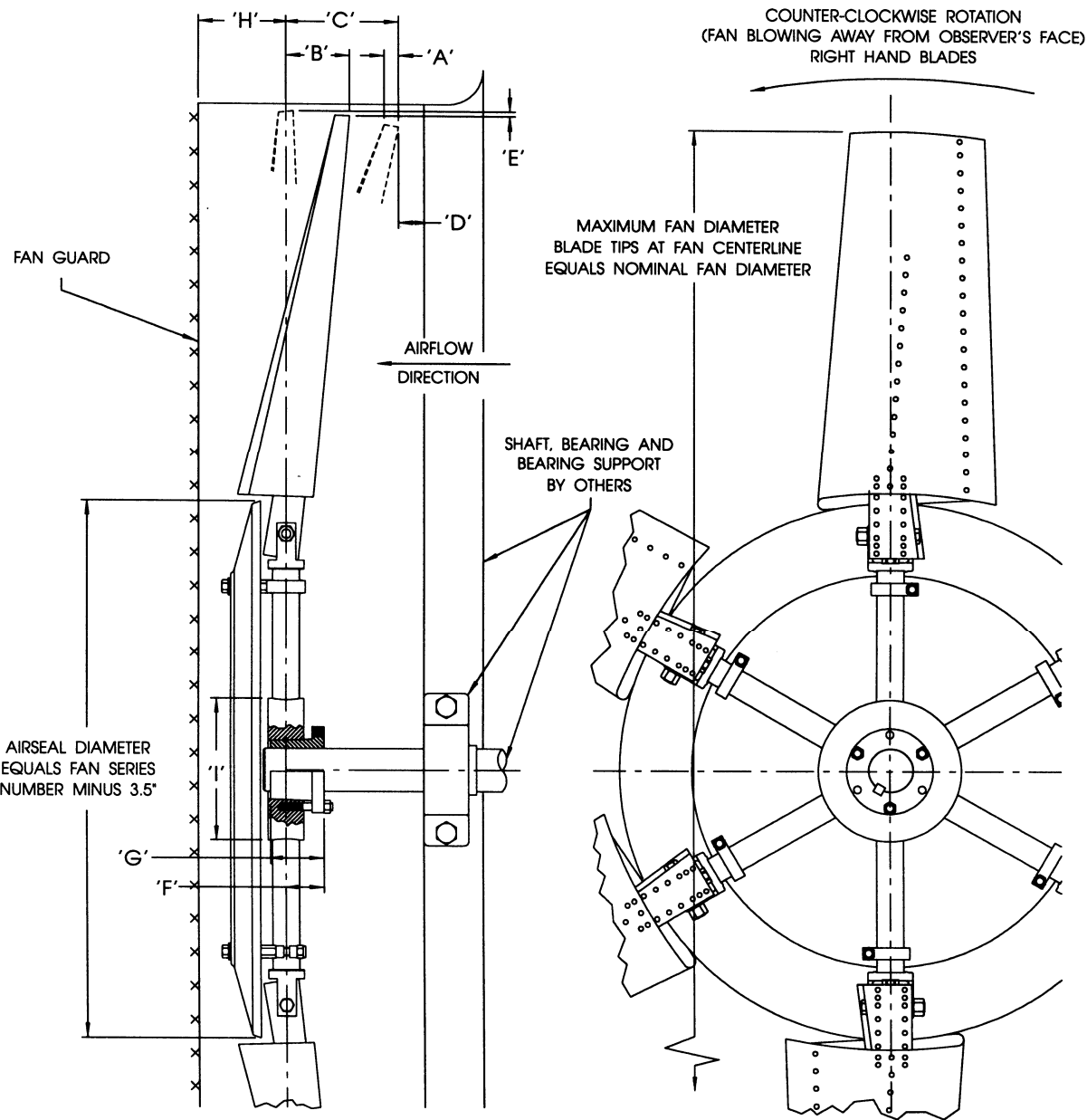


CLASS 5000 SERIES OF FANS



**NOTES**

A = BLADE TIP THICKNESS - 10° CLEVIS ANGLE  
 B = RUNNING POSITION OF BLADES  
 C = STOPPED POSITION OF BLADES  
 D = MINIMUM OBSTACLE CLEARANCE AT INLET  
 E = DECREASE OF MAXIMUM POSSIBLE RADIUS AT RUNNING POSITION  
 H = MINIMUM OBSTACLE CLEARANCE AT OUTLET

DIA.	A	BLADE LOAD		C	D	E	H	I	MAX BLDS	BUSHING
		100%	75%							
9'	3.8"	3.8"	2.9"	6.0"	2.0"	0.24"	7.0"	9.0"	8	E
10'	3.4"	4.4"	3.3"	6.5"	2.0"	0.29"	7.0"	12.0"	10	E OR J
11'	3.2"	5.0"	3.8"	7.0"	2.0"	0.33"	7.0"			
12'	2.7"	5.7"	4.5"	8.0"	2.0"	0.39"	7.0"			

**CLASS 5000**

**SERIES 49 ENGINE DRIVE FAN**

RIGHT HAND ROTATION

THE *Noore* COMPANY