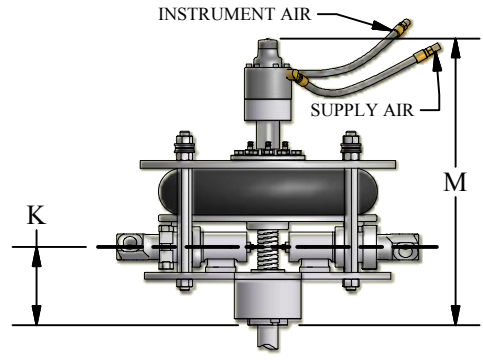
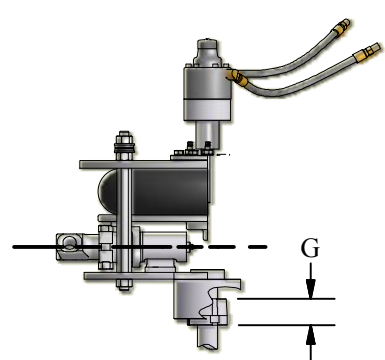
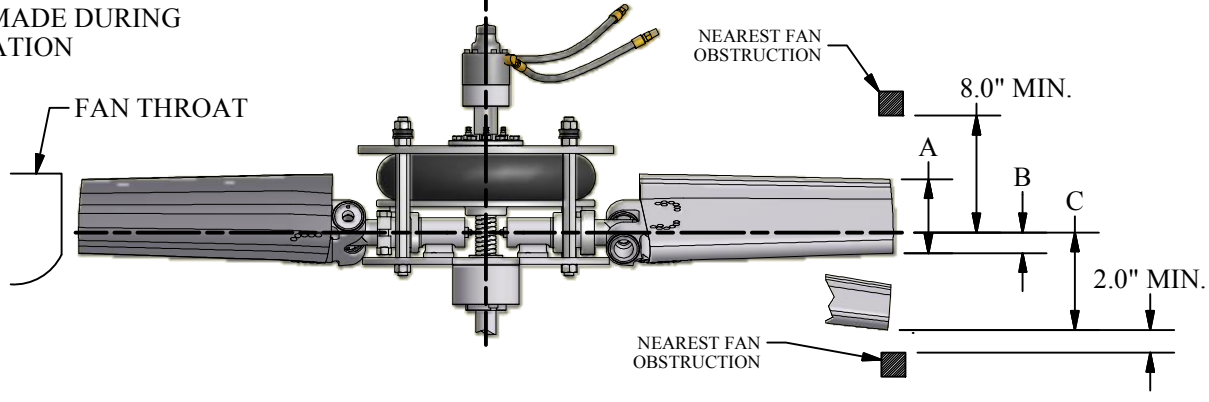


ROTATION: CLOCKWISE  
LOOKING INTO DISCHARGE

**NOTE 1:** MAXIMUM FAN DIA. BLADES HORIZONTAL (AS SHIPPED) EQUALS NOMINAL FAN DIA. A ± 1.5" ADJUSTMENT MAY BE MADE DURING INSTALLATION



SHAFT SHOULD ENGAGE FULL BUSHING LENGTH. DO NOT EXTEND SHAFT MORE THAN 0.5" ABOVE BUSHING

LETTER DIMENSIONS MAY VARY WITH BLADE ANGLE AND LOADING

- A = BLADE TIP THICKNESS
- B = RUNNING POSITION OF BLADES
- C = MAXIMUM DROOP POSITION OF BLADES
- G = BUSHING OVERALL HEIGHT
- K = CENTERLINE OF FAN TO BASE OF BUSHING
- # = WITH S.A.E. STANDARD SQUARE KEYWAY
- \* = WITH SHALLOW KEYWAY IN BUSHING
- @ = MAX METRIC BORE WITH STANDARD KEYWAY

WITH FAN OPERATING AT 12000 FT:MINUTE BLADE TIP SPEED  
PERCENT BLADE LOADING

DIA (ft)	A (in.)	PERCENT BLADE LOADING		C (in.)
		100%	75%	
4	5.00	1.2	0.9	3.2
5	4.60	1.5	1.1	3.5
6	4.20	1.8	1.4	3.8
7	3.80	2.1	1.6	4.1
8	3.40	2.6	2.0	4.6

MAX BLADES	BUSHING TYPE	MAX. # BORE	MAX. * BORE	MAX. @ BORE	DIM. "G"	DIM. "K"	DIM. "M"
5	T	2.0"	2.188"	55mm	1.9"	5.8"	21.1"



# SERIES 24 CSP AUTOMATIC FAN