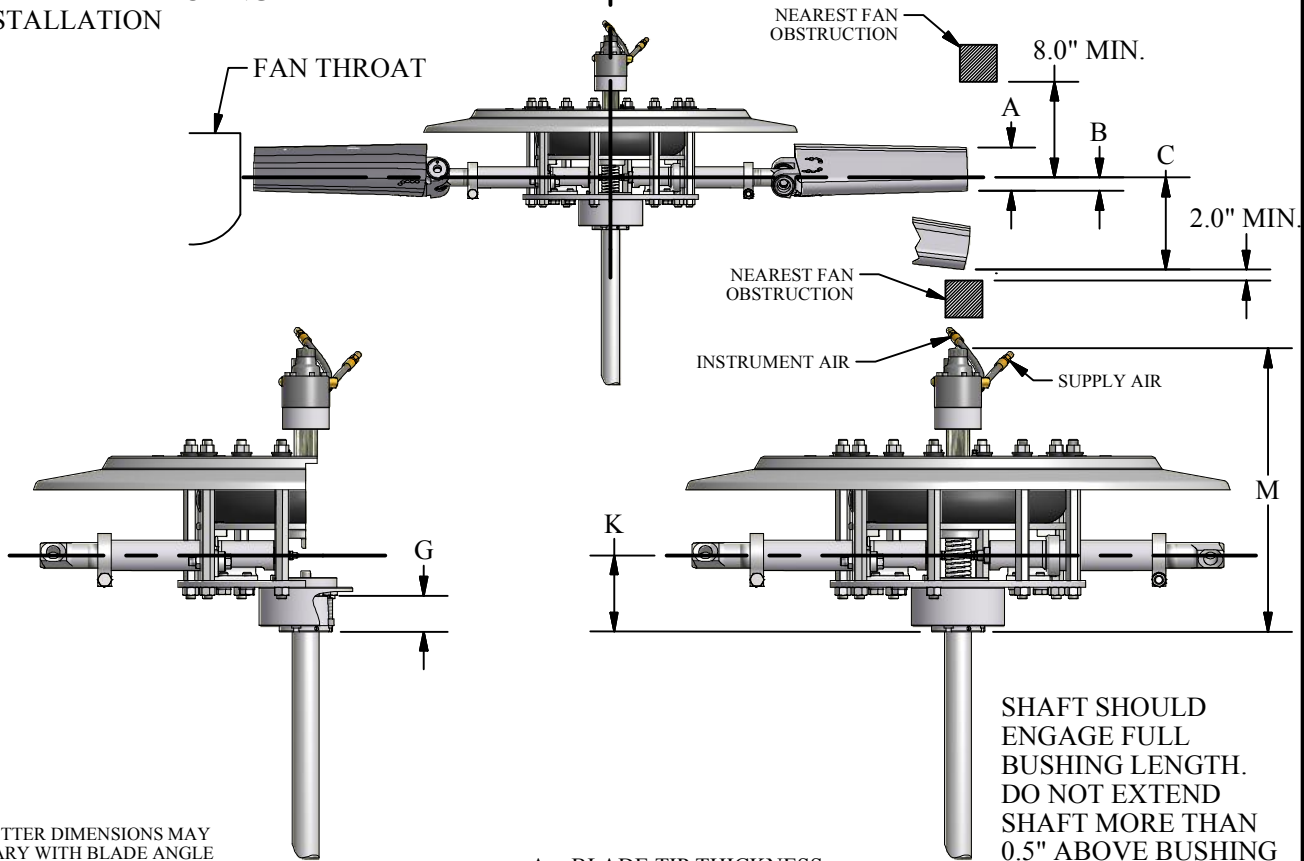


NOTE 1: MAXIMUM FAN DIA. BLADES HORIZONTAL AS SHIPPED) EQUALS NOMINAL FAN DIA. A ± 1.5" ADJUSTMENT MAY BE MADE DURING INSTALLATION

ROTATION: CLOCKWISE
LOOKING INTO DISCHARGE



LETTER DIMENSIONS MAY VARY WITH BLADE ANGLE AND LOADING

WITH FAN OPERATING AT 12000 FT-MINUTE BLADE TIP SPEED
PERCENT BLADE LOADING

DIA (ft)	A (in.)	PERCENT BLADE LOADING		C (in.)
		100%	75%	
7'	4.4"	1.7"	1.5"	3.7"
8'	4.0"	2.2"	1.8"	4.2"
9'	3.6"	2.7"	2.2"	4.7"
10'	3.2"	3.3"	2.6"	5.3"
11'	2.8"	4.0"	3.1"	6.0"
12'	2.4"	4.8"	3.7"	6.8"
13'	2.0"	5.7"	4.3"	7.7"
14'	1.7"	6.7"	5.1"	8.7"

- A = BLADE TIP THICKNESS
- B = RUNNING POSITION OF BLADES
- C = MAXIMUM DROOP POSITION OF BLADES
- G = BUSHING OVERALL HEIGHT
- K = CENTERLINE OF FAN TO BASE OF BUSHING
- # = WITH S.A.E. STANDARD SQUARE KEYWAY
- * = WITH SHALLOW KEYWAY IN BUSHING
- @ = MAX METRIC BORE WITH STANDARD KEYWAY

SHAFT SHOULD ENGAGE FULL BUSHING LENGTH. DO NOT EXTEND SHAFT MORE THAN 0.5" ABOVE BUSHING

MAX BLADES	BUSHING TYPE	MAX. # BORE	MAX. * BORE	MAX. @ BORE	DIM. "G"	DIM. "K"	DIM. "M"
8	U	2.75"	2.938"	75mm	2.7"	5.8"	21.1"
8	W	3.750"	4.000"	100mm	2.8"	8.7"	24.1"
8	X	3.750"	4.000"	100mm	4.0"	8.7"	24.1"



SERIES 42 CSP AUTOMATIC FAN