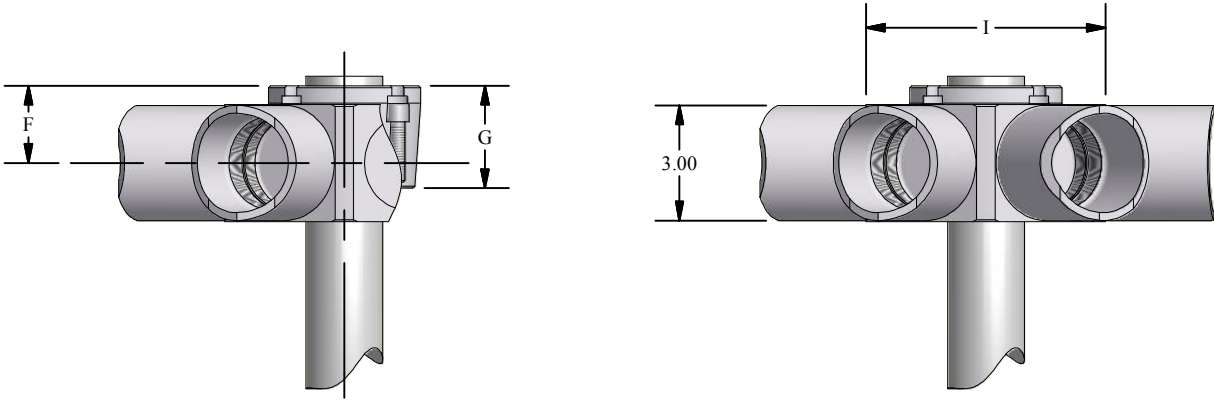
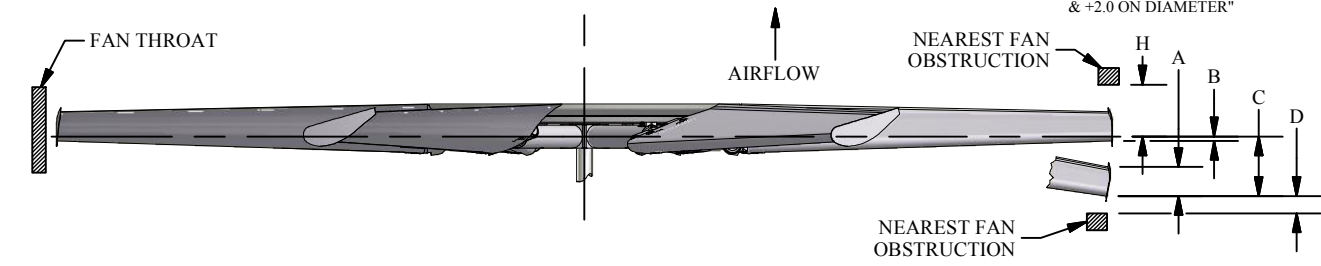


NOTE 1:
 MAXIMUM FAN DIAMETER (BLADES HORIZONTAL - AS SHIPPED) EQUALS NOMINAL FAN DIAMETER. ADJUSTMENT OF ±1.5 INCHES* POSSIBLE AT INSTALLATION
 *BLADES WITH ATEX TIPS HAVE ADJUSTMENT OF -1.0" & +2.0 ON DIAMETER"



BUSHING AND/OR AIR SEAL CAN BE INSTALLED ON INLET OR OUTLET SIDE OF FAN.

A = BLADE TIP THICKNESS @ 19° BLADE ANGLE
 B = RUNNING POSITION OF BLADES
 C = MAXIMUM DROOP POSITION OF BLADES
 D = MINIMUM OBSTACLE CLEARANCE AT INLET
 F = CENTERLINE OF FAN TO BASE OF BUSHING
 G = BUSHING OVERALL HEIGHT
 H = MINIMUM OBSTACLE CLEARANCE AT OUTLET
 I = NOMINAL MECHANICAL HUB DIAMETER
 L = MAX. BUSHING TORQUE FT. LBS.
 # = WITH S.A.E. STANDARD SQUARE KEYWAY
 * = WITH SHALLOW KEYWAY IN BUSHING
 ° = MAX METRIC BORE WITH STANDARD KEYWAY

WITH FAN OPERATING AT 12000 FT: MINUTE BLADE TIP SPEED PERCENT BLADE LOADING

DIA	100%		75%		C	D	H
	A	B	B	C			
7'	4.4"	1.7"	1.5"	3.7"	2.0"	7.0"	
8'	4.0"	2.2"	1.8"	4.2"	2.0"	7.0"	
9'	3.6"	2.7"	2.2"	4.7"	2.0"	7.0"	
10'	3.2"	3.3"	2.6"	5.3"	2.0"	7.0"	
11'	2.8"	4.0"	3.1"	6.0"	2.0"	7.0"	
12'	2.4"	4.8"	3.7"	6.8"	2.0"	7.0"	
13'	2.0"	5.7"	4.3"	7.7"	2.0"	7.0"	
14'	1.7"	6.7"	5.1"	8.7"	2.0"	7.0"	

MAX BLADES	BUSHING TYPE	MAX # BORE	MAX * BORE	MAX ° BORE	I	F	G	L
8	U	2.750"	2.938"	75	9"	2.0"	2.7"	4000
8	W	3.750"	4.000"	100	9"	2.2"	2.8"	7300
8	X	3.750"	4.000"	100	9"	2.2"	4.0"	9800



SERIES 42 STANDARD HUB HD FAN RIGHT HAND ROTATION