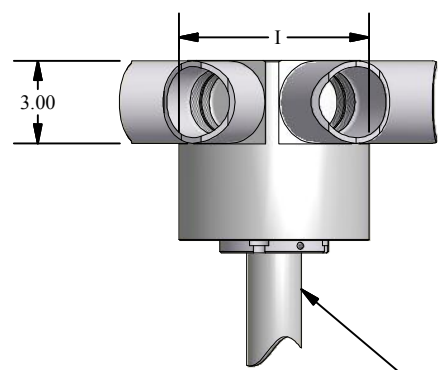
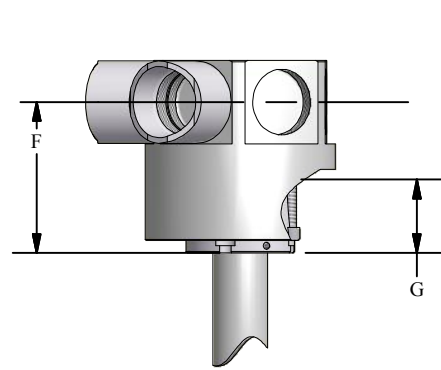
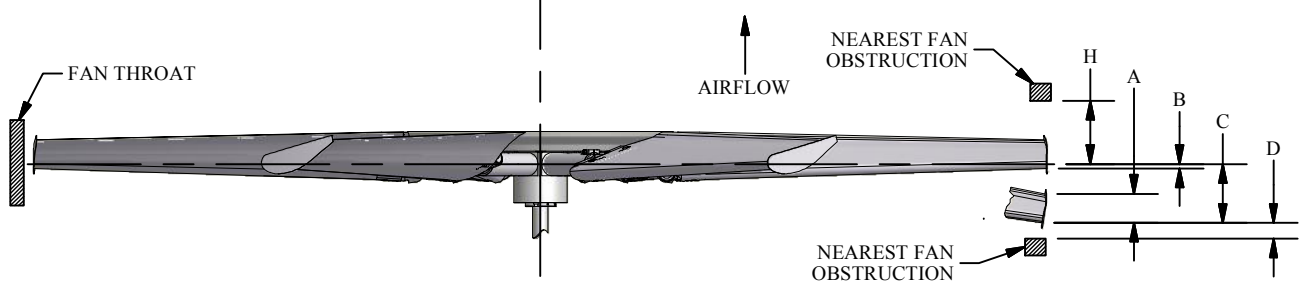


NOTE 1:  
MAXIMUM FAN DIAMETER (BLADES  
HORIZONTAL - AS SHIPPED) EQUALS  
NOMINAL FAN DIAMETER. ADJUSTMENT  
OF ±1.5 INCHES POSSIBLE AT  
INSTALLATION



BUSHING CAN BE INSTALLED ON  
INLET OR OUTLET SIDE OF FAN

- A = BLADE TIP THICKNESS @ 19° BLADE ANGLE
- B = RUNNING POSITION OF BLADES
- C = MAXIMUM DROOP POSITION OF BLADES
- D = MINIMUM OBSTACLE CLEARANCE AT INLET
- F = CENTERLINE OF FAN TO BASE OF BUSHING
- G = BUSHING OVERALL HEIGHT
- H = MINIMUM OBSTACLE CLEARANCE AT OUTLET
- I = NOMINAL MECHANICAL HUB DIAMETER
- L = MAX . BUSHING TORQUE FT. LBS.
- # = WITH S.A.E. STANDARD SQUARE KEYWAY
- \* = WITH SHALLOW KEYWAY IN BUSHING
- ° = MAX METRIC BORE WITH STANDARD KEYWAY

SHAFT (BY OTHERS) MUST  
FULLY ENGAGE BUSHING

WITH FAN OPERATING  
AT 12000 FT: MINUTE  
BLADE TIP SPEED  
PERCENT BLADE  
LOADING

DIA	PERCENT BLADE LOADING		C	D	H	
	100%	75%				
6'	4.6"	1.5"	1.3"	3.5"	2.0"	7.0"
7'	4.2"	1.8"	1.5"	3.8"	2.0"	7.0"
8'	3.8"	2.1"	1.8"	4.1"	2.0"	7.0"
9'	3.4"	2.6"	2.1"	4.6"	2.0"	7.0"
10'	3.0"	3.1"	2.4"	5.1"	2.0"	7.0"
11'	2.6"	3.8"	3.1"	5.8"	2.0"	7.0"
12'	2.2"	4.6"	3.6"	6.6"	2.0"	7.0"

MAX BLADES	BUSHING TYPE	MAX # BORE	MAX * BORE	MAX ° BORE	I	F	G	L
6	U	2.750"	2.938"	75	7"	8.0" OR 12"	2.7"	4000
8	U	2.750"	2.938"	75	9"	8.0" OR 12"	2.7"	4000
8	W	3.750"	4.000"	100	9"	8.0" OR 12"	2.8"	7300
8	X	3.750"	4.000"	100	9"	8.0" OR 12"	4.0"	9800



## SERIES 36 EXTENDED HUB HD FAN RIGHT HAND ROTATION