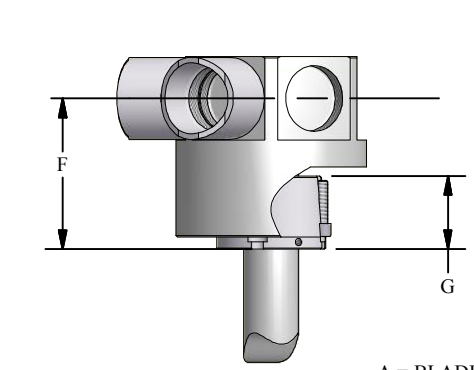
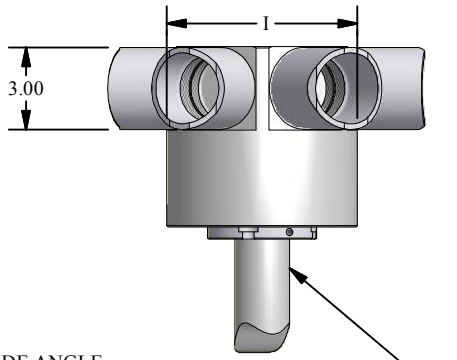


NOTE 1:
 MAXIMUM FAN DIAMETER (BLADES HORIZONTAL - AS SHIPPED) EQUALS NOMINAL FAN DIAMETER. ADJUSTMENT OF ±1.5 INCHES POSSIBLE AT INSTALLATION



BUSHING CAN BE INSTALLED ON INLET OR OUTLET SIDE OF FAN



SHAFT (BY OTHERS) MUST FULLY ENGAGE BUSHING

- A = BLADE TIP THICKNESS @ 19° BLADE ANGLE
- B = RUNNING POSITION OF BLADES
- C = MAXIMUM DROOP POSITION OF BLADES
- D = MINIMUM OBSTACLE CLEARANCE AT INLET
- F = CENTERLINE OF FAN TO BASE OF BUSHING
- G = BUSHING OVERALL HEIGHT
- H = MINIMUM OBSTACLE CLEARANCE AT OUTLET
- I = NOMINAL MECHANICAL HUB DIAMETER
- L = MAX. BUSHING TORQUE FT. LBS.
- # = WITH S.A.E. STANDARD SQUARE KEYWAY
- * = WITH SHALLOW KEYWAY IN BUSHING
- ° = MAX METRIC BORE WITH STANDARD KEYWAY

WITH FAN OPERATING AT 12000 FT. MINUTE BLADE TIP SPEED
 PERCENT BLADE LOADING

| DIA | PERCENT BLADE LOADING | | C | D | H | |
|-----|-----------------------|------|------|-------|------|------|
| | 100% | 75% | | | | |
| 8' | 2.1" | 2.3" | 2.0" | 2.8" | 2.0" | 7.0" |
| 9' | 1.9" | 2.7" | 2.3" | 3.6" | 2.0" | 7.0" |
| 10' | 1.7" | 3.3" | 2.7" | 4.4" | 2.0" | 7.0" |
| 11' | 1.6" | 3.9" | 3.1" | 5.3" | 2.0" | 7.0" |
| 12' | 1.5" | 4.5" | 3.6" | 6.4" | 2.0" | 7.0" |
| 13' | 1.3" | 5.3" | 4.2" | 7.5" | 2.0" | 7.0" |
| 14' | 1.2" | 6.1" | 4.8" | 8.7" | 2.0" | 7.0" |
| 15' | 1.1" | 7.0" | 5.5" | 10.0" | 2.0" | 7.0" |
| 16' | 1.0" | 8.0" | 6.2" | 11.5" | 2.0" | 7.0" |

| MAX BLADES | BUSHING TYPE | MAX # BORE | MAX * BORE | MAX ° BORE | I | F | G | L |
|------------|--------------|------------|------------|------------|-----|-------------|--------|--------|
| | | | | | 6 | U | 2.750" | 2.938" |
| 8 | U | 2.750" | 2.938" | 75 | 9" | 8.0" OR 12" | 2.7" | 4000 |
| 10 | U | 2.750" | 2.938" | 75 | 12" | 8.0" OR 12" | 2.7" | 4000 |
| 8 | W | 3.750" | 4.000" | 100 | 9" | 8.0" OR 12" | 2.8" | 7300 |
| 10 | W | 3.750" | 4.000" | 100 | 12" | 8.0" OR 12" | 2.8" | 7300 |
| 10 | Z | 5.000" | 5.500" | 140 | 12" | 8.0" OR 12" | 4.0" | 18000 |



SERIES 48 EXTENDED HUB HD FAN RIGHT HAND ROTATION