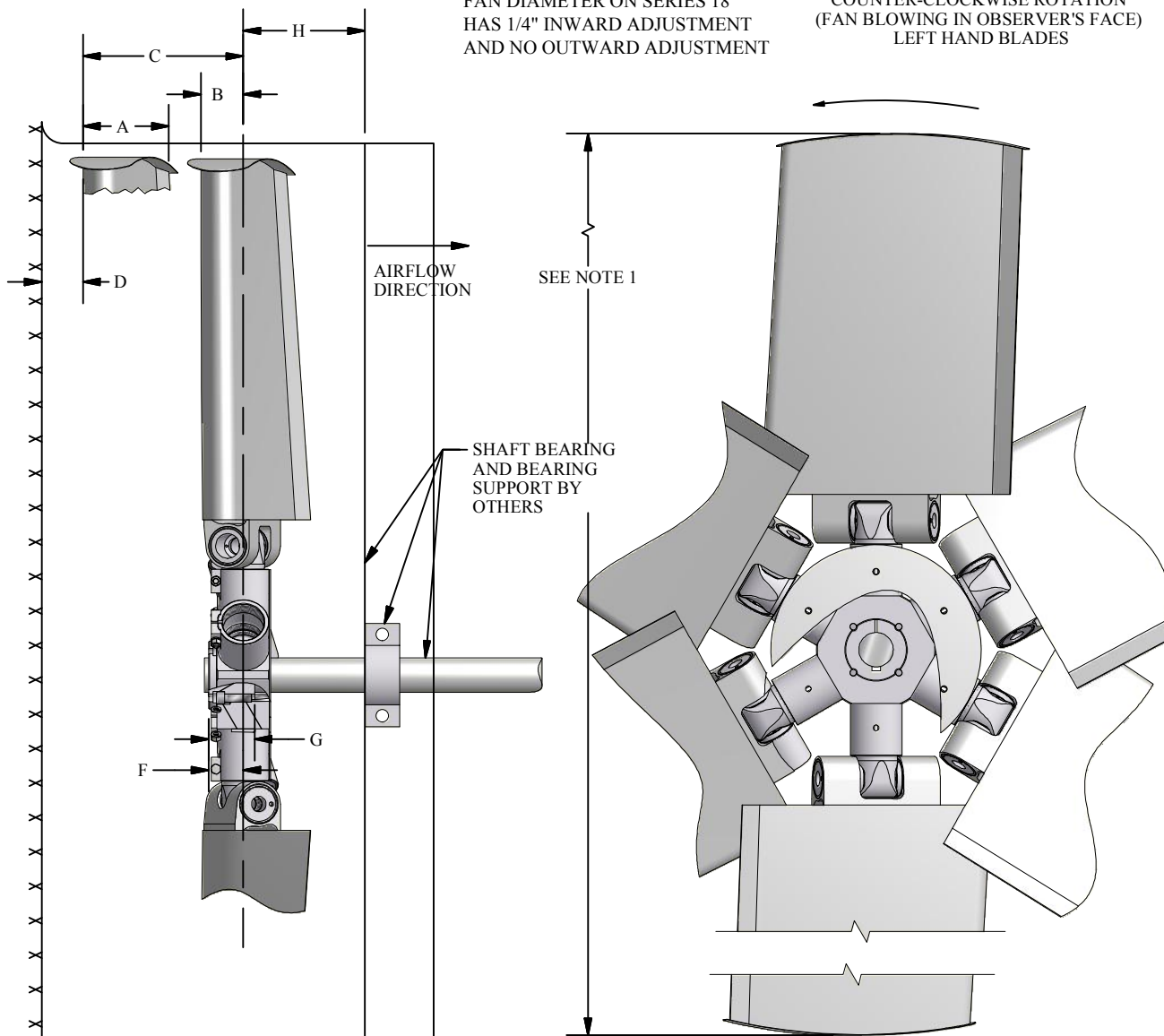


NOTE 1:
FAN DIAMETER ON SERIES 18
HAS 1/4" INWARD ADJUSTMENT
AND NO OUTWARD ADJUSTMENT

COUNTER-CLOCKWISE ROTATION
(FAN BLOWING IN OBSERVER'S FACE)
LEFT HAND BLADES



AIRFLOW
DIRECTION

SEE NOTE 1

SHAFT BEARING
AND BEARING
SUPPORT BY
OTHERS

BUSHING CAN BE INSTALLED ON INLET
OR OUTLET SIDE OF FAN. AIR SEAL
MUST BE OPPOSITE OF BUSHING.

MINIMUM ANGLE FOR INSTALLATION
IS 7° FOR A 5 BLADE FAN AND 13° FOR A 6
BLADE FAN.

FAN GUARD

- A = BLADE TIP THICKNESS @ 19° BLADE ANGLE
- B = RUNNING POSITION OF BLADES
- C = MAXIMUM DROOP POSITION OF BLADES
- D = MINIMUM OBSTACLE CLEARANCE AT INLET
- F = CENTERLINE OF FAN TO BASE OF BUSHING
- G = BUSHING OVERALL HEIGHT
- H = MINIMUM OBSTACLE CLEARANCE AT OUTLET
- I = NOMINAL MECHANICAL HUB DIAMETER
- L = MAX. BUSHING TORQUE FT. LBS.
- # = WITH S.A.E. STANDARD SQUARE KEYWAY
- * = WITH SHALLOW KEYWAY IN BUSHING
- ° = MAX METRIC BORE WITH STANDARD KEYWAY

WITH FAN OPERATING
AT 12000 FT: MINUTE
BLADE TIP SPEED

PERCENT BLADE
LOADING~

100% 75%

DIA	A	B	C	D	H	
3'	5.2"	1.1"	0.8"	3.1"	2.0"	7.0"
4'	4.8"	1.4"	1.0"	3.4"	2.0"	7.0"
5'	4.4"	1.7"	1.3"	3.7"	2.0"	7.0"
6'	4.0"	2.0"	1.5"	4.0"	2.0"	7.0"

MAX BLADES	BUSHING TYPE	MAX # BORE	MAX * BORE	MAX ° BORE	I	F	G	L
6	U	2.750"	2.938"	75	7"	2.0"	2.7"	4000



SERIES 18 HD FAN LEFT HAND ROTATION