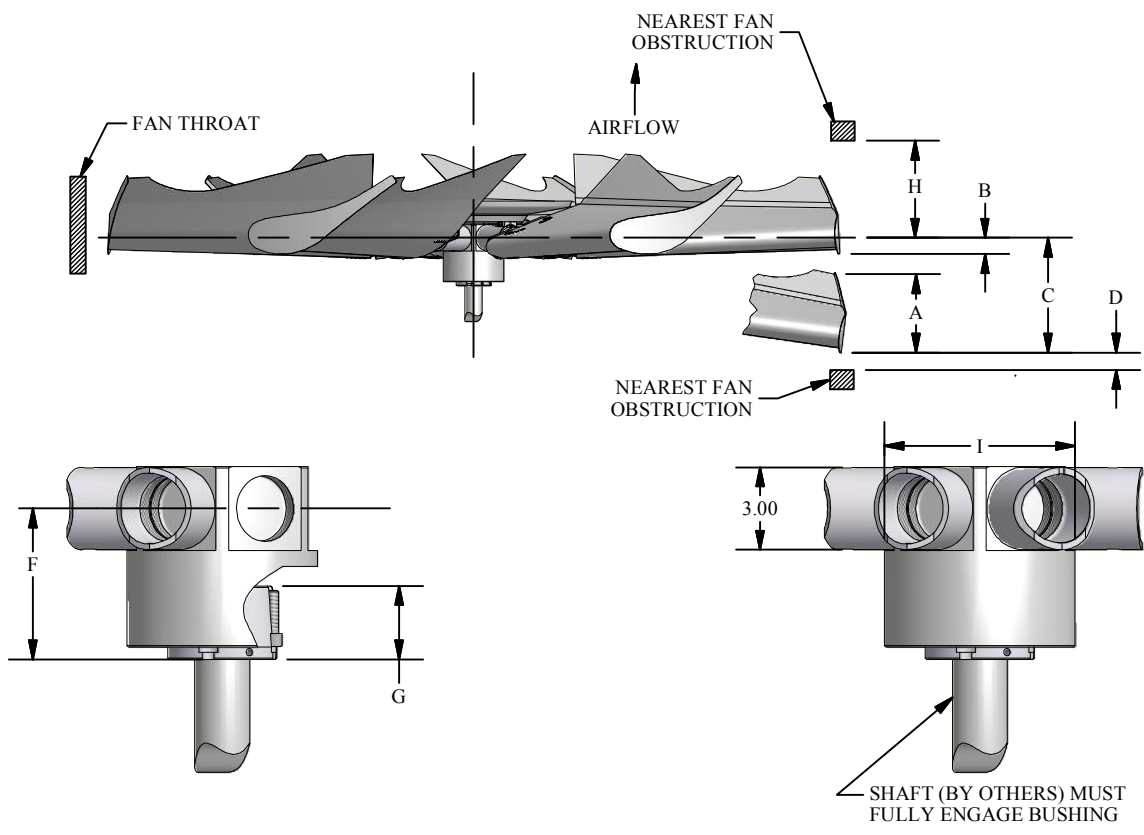


CLOCKWISE ROTATION
(FAN BLOWING IN OBSERVER'S FACE)
STANDARD RIGHT HAND FAN

NOTE 1:
MAXIMUM FAN DIAMETER (BLADES
HORIZONTAL - AS SHIPPED) EQUALS
NOMINAL FAN DIAMETER. ADJUSTMENT
OF ±1.5 INCHES POSSIBLE AT
INSTALLATION



BUSHING CAN BE INSTALLED ON
INLET OR OUTLET SIDE OF FAN

- A = BLADE TIP THICKNESS @ 19° BLADE ANGLE
- B = RUNNING POSITION OF BLADES
- C = MAXIMUM DROOP POSITION OF BLADES
- D = MINIMUM OBSTACLE CLEARANCE AT INLET
- F = CENTERLINE OF FAN TO BASE OF BUSHING
- G = BUSHING OVERALL HEIGHT
- H = MINIMUM OBSTACLE CLEARANCE AT OUTLET
- I = NOMINAL MECHANICAL HUB DIAMETER
- L = MAX. BUSHING TORQUE FT. LBS.
- # = WITH S.A.E. STANDARD SQUARE KEYWAY
- * = WITH SHALLOW KEYWAY IN BUSHING
- ° = MAX METRIC BORE WITH STANDARD KEYWAY

WITH FAN OPERATING
AT 12000 FT: MINUTE
BLADE TIP SPEED

| PERCENT BLADE LOADING | |
|--------------------------|-------|
| 100% | 75% |
| 7.5" | 5.1" |
| 4.5" | 5.1" |
| 4.4" | 6.4" |
| 4.8" | 2.0" |
| 5.5" | 2.0" |
| 7.5" | 14.0" |
| 5.1" | 14.0" |
| 5.6" | 14.0" |

| DIA | A | B | C | D | H | |
|-----|------|------|------|------|------|-------|
| 5' | 7.5" | 4.5" | 4.4" | 4.8" | 2.0" | 14.0" |
| 6' | 7.5" | 4.9" | 4.7" | 5.5" | 2.0" | 14.0" |
| 7' | 7.5" | 5.1" | 5.1" | 6.4" | 2.0" | 14.0" |
| 8' | 7.5" | 5.6" | 5.6" | 7.5" | 2.0" | 14.0" |

| MAX BLADES | BUSHING TYPE | MAX # BORE | MAX * BORE | MAX ° BORE | I | F | G | L |
|---------------|-----------------|------------------|------------------|------------------|----|-------------------|------|------|
| 6 | U | 2.750" | 2.938" | 75 | 7" | 5.5", 8.0" OR 12" | 2.7" | 4000 |



SERIES 24 EXTENDED CHORD EXTENDED HUB HD FAN - RIGHT HAND ROTATION