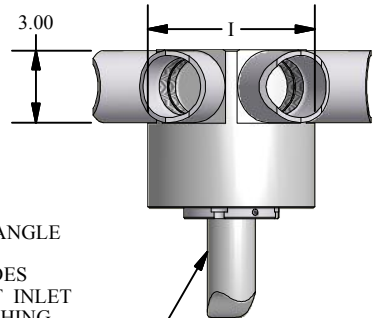
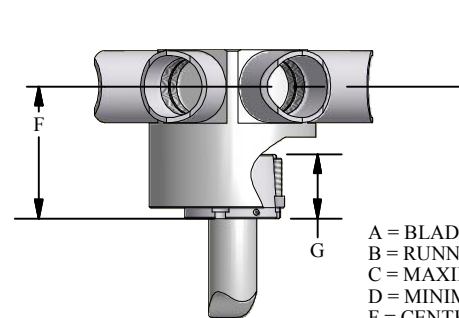


BUSHING CAN BE INSTALLED ON INLET OR OUTLET SIDE OF FAN



- A = BLADE TIP THICKNESS @ 19° BLADE ANGLE
- B = RUNNING POSITION OF BLADES
- C = MAXIMUM DROOP POSITION OF BLADES
- D = MINIMUM OBSTACLE CLEARANCE AT INLET
- F = CENTERLINE OF FAN TO BASE OF BUSHING
- G = BUSHING OVERALL HEIGHT
- H = MINIMUM OBSTACLE CLEARANCE AT OUTLET
- I = NOMINAL MECHANICAL HUB DIAMETER
- L = MAX. BUSHING TORQUE FT. LBS.
- # = WITH S.A.E. STANDARD SQUARE KEYWAY
- * = WITH SHALLOW KEYWAY IN BUSHING
- ° = MAX METRIC BORE WITH STANDARD KEYWAY

SHAFT (BY OTHERS) MUST FULLY ENGAGE BUSHING

WITH FAN OPERATING AT 12000 FT. MINUTE BLADE TIP SPEED
PERCENT BLADE LOADING

DIA	100%		75%		C	D	H
	A	B	A	B			
8'	7.5"	5.1"	4.8"	5.8"	2.0"	14.0"	
9'	7.5"	5.7"	5.3"	6.9"	2.0"	14.0"	
10'	7.5"	6.5"	5.9"	8.1"	2.0"	14.0"	
11'	7.5"	7.5"	6.7"	9.6"	2.0"	14.0"	
12'	7.5"	8.6"	7.5"	11.4"	2.0"	14.0"	
13'	7.5"	9.9"	8.5"	13.3"	2.0"	14.0"	
14'	7.5"	11.3"	9.5"	15.4"	2.0"	14.0"	
15'	7.5"	12.8"	10.7"	17.8"	2.0"	14.0"	
16'	7.5"	14.5"	12.0"	20.4"	2.0"	14.0"	

MAX BLADES	BUSHING TYPE	MAX # BORE	MAX * BORE	MAX ° BORE	I	F	G	L
8	U	2.750"	2.938"	75	9"	5.5", 8.0" OR 12"	2.7"	4000
10	U	2.750"	2.938"	75	12"	5.5", 8.0" OR 12"	2.7"	4000
8	W	3.750"	4.000"	100	9"	5.5", 8.0" OR 12"	2.8"	7300
10	W	3.750"	4.000"	100	12"	5.5", 8.0" OR 12"	2.8"	7300
8	X	3.750"	4.000"	100	9"	5.5", 8.0" OR 12"	4.0"	9800
10	X	3.750"	4.000"	100	12"	5.5", 8.0" OR 12"	4.0"	9800
10	Z	5.000"	5.500"	140	12"	5.5", 8.0" OR 12"	4.0"	18000



SERIES 48 EXTENDED CHORD EXTENDED HUB HD FAN - RIGHT HAND ROTATION