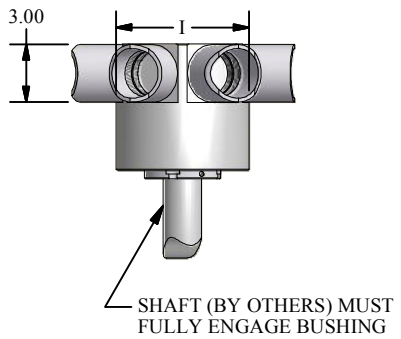


- A = BLADE TIP THICKNESS @ 19° BLADE ANGLE
- B = RUNNING POSITION OF BLADES
- C = MAXIMUM DROOP POSITION OF BLADES
- D = MINIMUM OBSTACLE CLEARANCE AT INLET
- F = CENTERLINE OF FAN TO BASE OF BUSHING
- G = BUSHING OVERALL HEIGHT
- H = MINIMUM OBSTACLE CLEARANCE AT OUTLET
- I = NOMINAL MECHANICAL HUB DIAMETER
- L = MAX. BUSHING TORQUE FT. LBS.
- # = WITH S.A.E. STANDARD SQUARE KEYWAY
- * = WITH SHALLOW KEYWAY IN BUSHING
- ° = MAX METRIC BORE WITH STANDARD KEYWAY



WITH FAN OPERATING AT 12000 FT: MINUTE BLADE TIP SPEED

PERCENT BLADE LOADING

100% 75%

| DIA | 100% | | 75% | | C | D | H |
|-----|------|-------|-------|-------|------|-------|---|
| | A | B | C | D | | | |
| 12' | 7.5" | 4.3" | 3.5" | 5.8" | 2.0" | 14.0" | |
| 13' | 7.5" | 5.1" | 4.1" | 7.1" | 2.0" | 14.0" | |
| 14' | 7.5" | 6.0" | 4.8" | 8.5" | 2.0" | 14.0" | |
| 15' | 7.5" | 7.0" | 5.6" | 10.0" | 2.0" | 14.0" | |
| 16' | 7.5" | 8.1" | 6.4" | 11.6" | 2.0" | 14.0" | |
| 17' | 7.5" | 9.2" | 7.2" | 13.3" | 2.0" | 14.0" | |
| 18' | 7.5" | 10.4" | 8.1" | 15.1" | 2.0" | 14.0" | |
| 19' | 7.5" | 11.7" | 9.0" | 16.9" | 2.0" | 14.0" | |
| 20' | 7.5" | 13.0" | 10.1" | 18.9" | 2.0" | 14.0" | |
| 21' | 7.5" | 14.4" | 11.1" | 21.0" | 2.0" | 14.0" | |
| 22' | 7.5" | 15.9" | 12.2" | 23.2" | 2.0" | 14.0" | |
| 23' | 7.5" | 17.4" | 13.4" | 25.5" | 2.0" | 14.0" | |
| 24' | 7.5" | 19.1" | 14.7" | 27.9" | 2.0" | 14.0" | |

| MAX BLADES | BUSHING TYPE | MAX # BORE | MAX * BORE | MAX ° BORE | I | F | G | L |
|------------|--------------|------------|------------|------------|-----|-----------------------------------|------|-------|
| 6 | U | 2.750" | 2.938" | 75 | | | | |
| 8 | U | 2.750" | 2.938" | 75 | 7" | 5.5", 8.0" OR 12" | 2.7" | 4000 |
| 12 | U | 2.750" | 2.938" | 75 | 9" | 5.5", 8.0" OR 12" | 2.7" | 4000 |
| 14 | U | 2.750" | 2.938" | 75 | 12" | 5.5", 8.0", 12", 16", 20", OR 24" | 2.7" | 4000 |
| 8 | W | 3.750" | 4.000" | 100 | 14" | 5.5", 8.0", 12", 16", 20", OR 24" | 2.7" | 4000 |
| 12 | W | 3.750" | 4.000" | 100 | 9" | 5.5", 8.0" OR 12" | 2.8" | 7300 |
| 14 | W | 3.750" | 4.000" | 100 | 12" | 5.5", 8.0", 12", 16", 20", OR 24" | 2.8" | 7300 |
| 16 | W | 3.750" | 4.000" | 100 | 14" | 5.5", 8.0", 12", 16", 20", OR 24" | 2.8" | 7300 |
| 8 | X | 3.750" | 4.000" | 100 | 16" | 5.5", 8.0", 12", 16", 20", OR 24" | 2.8" | 7300 |
| 12 | X | 3.750" | 4.000" | 100 | 9" | 5.5", 8.0" OR 12" | 4.0" | 9800 |
| 14 | X | 3.750" | 4.000" | 100 | 12" | 5.5", 8.0", 12", 16", 20", OR 24" | 4.0" | 9800 |
| 16 | X | 3.750" | 4.000" | 100 | 14" | 5.5", 8.0", 12", 16", 20", OR 24" | 4.0" | 9800 |
| 12 | Z | 5.000" | 5.500" | 140 | 16" | 5.5", 8.0", 12", 16", 20", OR 24" | 4.0" | 9800 |
| 14 | Z | 5.000" | 5.500" | 140 | 12" | 5.5", 8.0", 12", 16", 20", OR 24" | 4.0" | 18000 |
| 16 | Z | 5.000" | 5.500" | 140 | 14" | 5.5", 8.0", 12", 16", 20", OR 24" | 4.0" | 18000 |



SERIES 72 EXTENDED CHORD EXTENDED HUB HD FAN - RIGHT HAND ROTATION