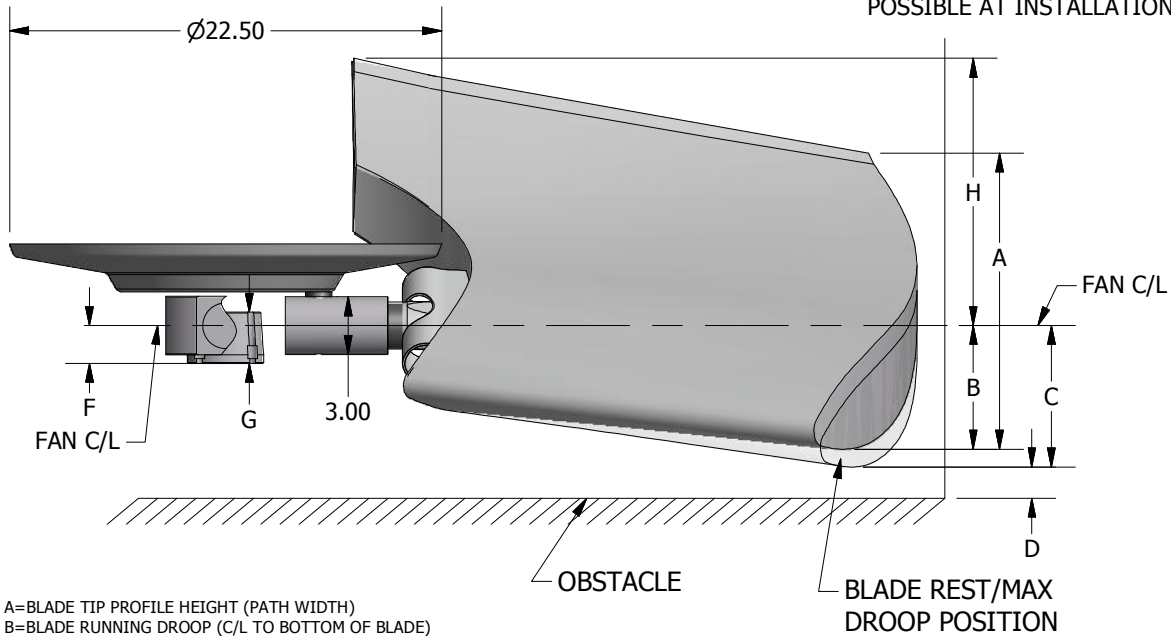


NOTE:1  
 MAXIMUM FAN DIAMETER (BLADES HORIZONTAL - AS SHIPPED) EQUALS NOMINAL FAN DIAMETER.  
 ADJUSTMENT OF ±1.5 INCHES POSSIBLE AT INSTALLATION



A=BLADE TIP PROFILE HEIGHT (PATH WIDTH)  
 B=BLADE RUNNING DROOP (C/L TO BOTTOM OF BLADE)  
 C=MAXIMUM DROOP POSITION OF BLADES AT 30° (C/L TO BOTTOM OF BLADE)  
 D=MINIMUM RECOMMENDED OBSTACLE CLEARANCE ON AIR INLET SIDE  
 H=MAXIMUM HEIGHT OF BLADE AT 30° (C/L TO AIR OUTLET SIDE)

F=FAN CENTERLINE TO BASE OF BUSHING (STANDARD HUB WITHOUT EXTENSION)  
 G=OVERALL BUSHING HEIGHT  
 L=MAX BUSHING TORQUE FT. LBS  
 #=WITH S.A.E. STANDARD KEYWAY IN BUSHING  
 \*=WITH SHALLOW KEYWAY IN BUSHING  
 °=MAX METRIC BORE WITH STANDARD KEYWAY

| DIA  | BLADE ANGLE |       | PERCENT BLADE LOADING |       | B     | C     | D  | H     |
|------|-------------|-------|-----------------------|-------|-------|-------|----|-------|
|      | 10°         | 20°   | 30°                   | 100%  |       |       |    |       |
| 6.0' | 9.0"        | 14.0" | 19.3"                 | 13.9" | 13.4" | 15.9" | 6" | 15.4" |

| BUSHING TYPE | NUMBER OF BLADES | MAX # BORE | MAX * BORE | MAX ° BORE | F      | G    | L    |
|--------------|------------------|------------|------------|------------|--------|------|------|
| U            | 3,4              | 2.75"      | 2.938"     | 75         | 2.525" | 2.7" | 4000 |



# SERIES 24 - 6 FT DIAMETER FAN RIGHT HAND ROTATION