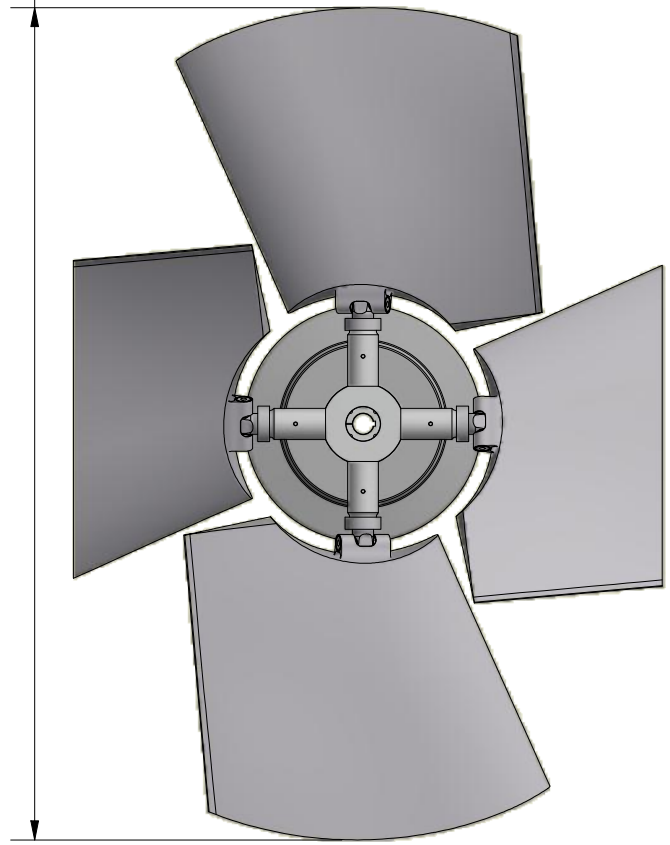


MAXIMUM FAN DIAMETER
BLADE TIPS AT FAN
CENTERLINE EQUALS
NOMINAL FAN DIAMETER



WITH FAN OPERATING
AT 12000 FT:MINUTE
BLADE TIP SPEED
PERCENT BLADE
LOADING

	100%	75%
DIA	5.0'	5.5'
A	7.5"	7.5"
B	0.6"	0.9"
C	0.5"	0.7"
D	0.8"	1.2"
H	2.0"	2.0"

- A = BLADE TIP THICKNESS @ 19° BLADE ANGLE
- B = RUNNING POSITION OF BLADES
- C = MAXIMUM DROOP POSITION OF BLADES
- D = MINIMUM OBSTACLE CLEARANCE AT INLET
- F = CENTERLINE OF FAN TO BASE OF BUSHING
- G = BUSHING OVERALL HEIGHT
- H = MINIMUM OBSTACLE CLEARANCE AT OUTLET
- I = NOMINAL MECHANICAL HUB DIAMETER
- L = MAX . BUSHING TORQUE FT. LBS.
- # = WITH S.A.E. STANDARD SQUARE KEYWAY
- * = WITH SHALLOW KEYWAY IN BUSHING
- ° = MAX METRIC BORE WITH STANDARD KEYWAY

DIA	A	B	C	D	H
5.0'	7.5"	0.6"	0.5"	0.8"	2.0"
5.5'	7.5"	0.9"	0.7"	1.2"	2.0"
6.0'	7.5"	1.2"	0.9"	1.7"	2.0"
6.5'	7.5"	1.6"	1.2"	2.3"	2.0"
7.0'	7.5"	2.0"	1.5"	2.9"	2.0"

NUMBER OF BLADES	BUSHING TYPE	MAX # BORE	MAX * BORE	MAX ° BORE	I	F	G	L
					12"	2.9"	2.7"	4000



SERIES 24 HD MAG LEFT HAND ROTATION