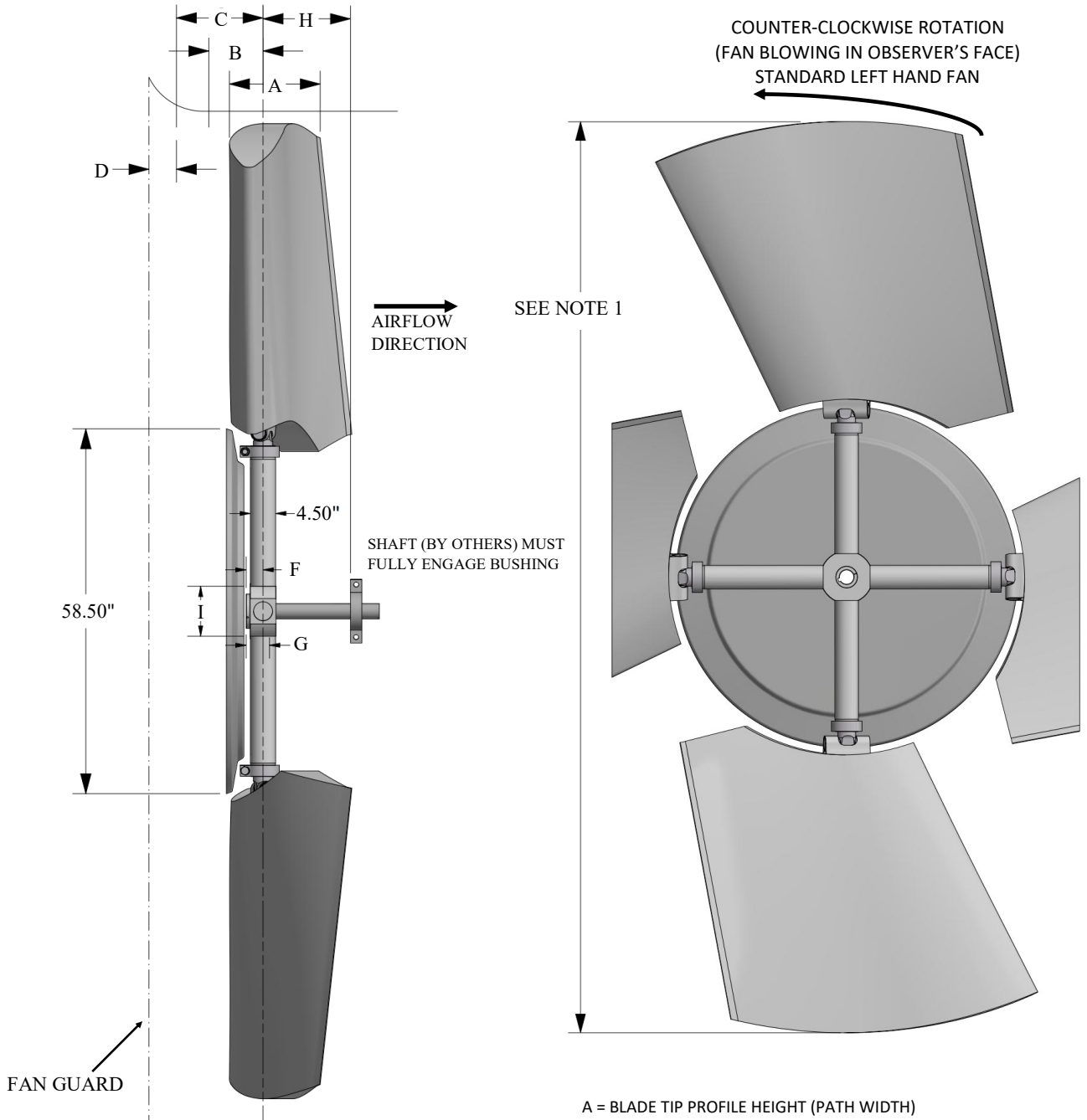
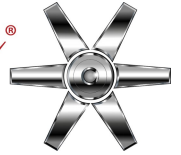


CLASS 10000 MAG SERIES 60

LH ROTATION

Moore
FANS



NOTE 1:
MAXIMUM FAN DIAMETER EQUALS NOMINAL FAN DIAMETER.
ADJUSTMENT OF ±1.5 INCHES POSSIBLE AT INSTALLATION

BUSHING AND/OR AIR SEAL
CAN BE INSTALLED ON INLET
OR OUTLET SIDE OF FAN

- A = BLADE TIP PROFILE HEIGHT (PATH WIDTH)
- B = BLADE RUNNING DROOP (C/L TO BOTTOM OF BLADE)
- C = MAXIMUM DROOP POSITION OF BLADES AT 30° (C/L TO BOTTOM OF BLADE)
- D = MINIMUM OBSTACLE CLEARANCE AT INLET
- F = CENTERLINE OF FAN TO BASE OF BUSHING (STANDARD HUB WITHOUT EXTENSION)
- G = BUSHING OVERALL HEIGHT
- H = MAXIMUM HEIGHT OF BLADE AT 30° (C/L TO AIR OUTLET SIDE)
- L = MAX . BUSHING TORQUE FT. LBS.
- # = WITH S.A.E. STANDARD SQUARE KEYWAY
- * = WITH SHALLOW KEYWAY IN BUSHING
- o = MAX METRIC BORE WITH STANDARD KEYWAY

WITH FAN OPERATING AT
12000 FT/MINUTE BLADE TIP SPEED

DIA	A	PERCENT BLADE LOADING		C	D	H
		100%	75%			
13'	21.5"	14.0"	13.0"	16.0"	6"	23.1"

MAX BLADES	BUSHING TYPE	MAX # BORE	MAX * BORE	MAX o BORE	I	F	G	L
7	W	3.75"	4.000"	100	12"	2.9"	2.8"	7300