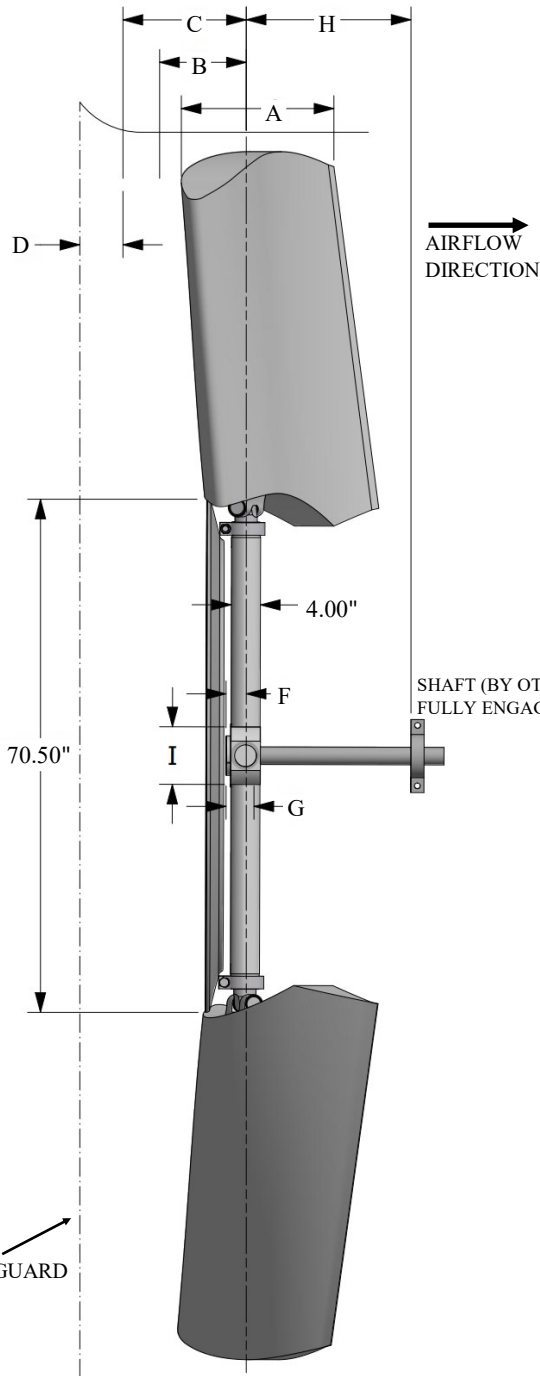
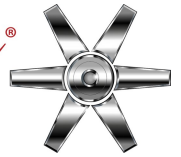


CLASS 10000 MAG SERIES 72

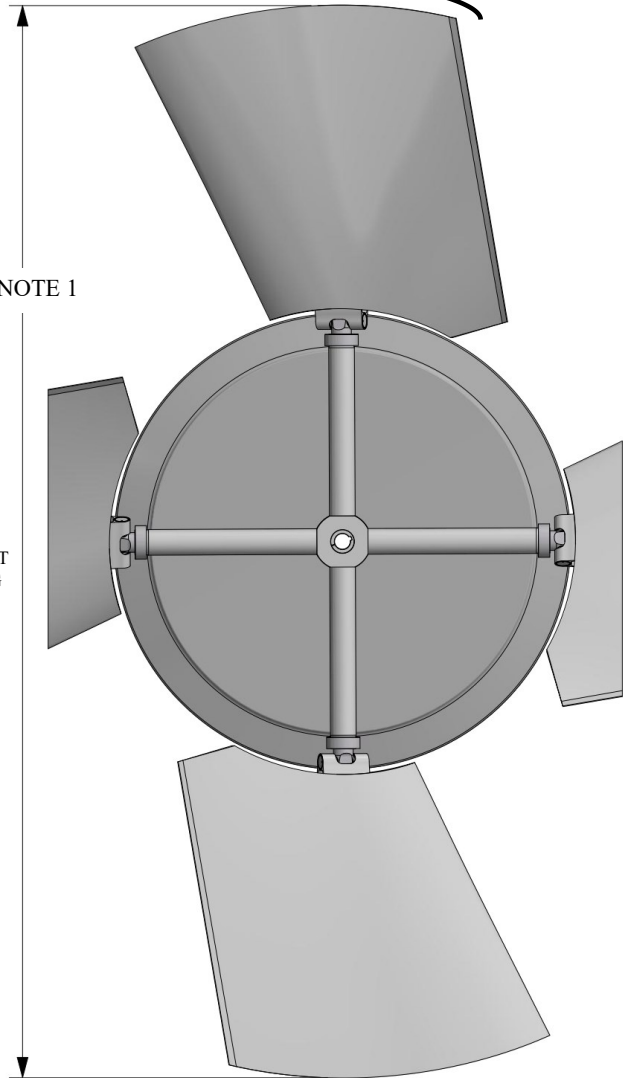
LH ROTATION

Moore
FANS



COUNTER-CLOCKWISE ROTATION
(FAN BLOWING IN OBSERVER'S FACE)
STANDARD LEFT HAND FAN

SEE NOTE 1



SHAFT (BY OTHERS) MUST FULLY ENGAGE BUSHING

FAN GUARD

NOTE 1:
MAXIMUM FAN DIAMETER EQUALS NOMINAL FAN DIAMETER.
ADJUSTMENT OF ±1.5 INCHES POSSIBLE AT INSTALLATION

- A = BLADE TIP THICKNESS @ 19° BLADE ANGLE
- B = RUNNING POSITION OF BLADES
- C = MAXIMUM DROOP POSITION OF BLADES
- D = MINIMUM OBSTACLE CLEARANCE AT INLET
- F = CENTERLINE OF FAN TO BASE OF BUSHING
- G = BUSHING OVERALL HEIGHT
- H = MINIMUM OBSTACLE CLEARANCE AT OUTLET
- I = NOMINAL MECHANICAL HUB DIAMETER
- L = MAX . BUSHING TORQUE FT. LBS.
- # = WITH S.A.E. STANDARD SQUARE KEYWAY
- * = WITH SHALLOW KEYWAY IN BUSHING
- o = MAX METRIC BORE WITH STANDARD KEYWAY

BUSHING AND/OR AIR SEAL CAN BE INSTALLED ON INLET OR OUTLET SIDE OF FAN

WITH FAN OPERATING AT
12000 FT/MINUTE BLADE TIP SPEED

PERCENT BLADE
LOADING

DIA	A	PERCENT BLADE LOADING		C	D	H
		100%	75%			
14.0'	21.5"	14.0"	13.0"	16.0"	6"	23.1"

MAX BLADES	BUSHING TYPE	MAX # BORE	MAX * BORE	MAX o BORE	I	F	G	L
7	W	3.75"	4.00"	100	12"	2.9"	2.8"	7300