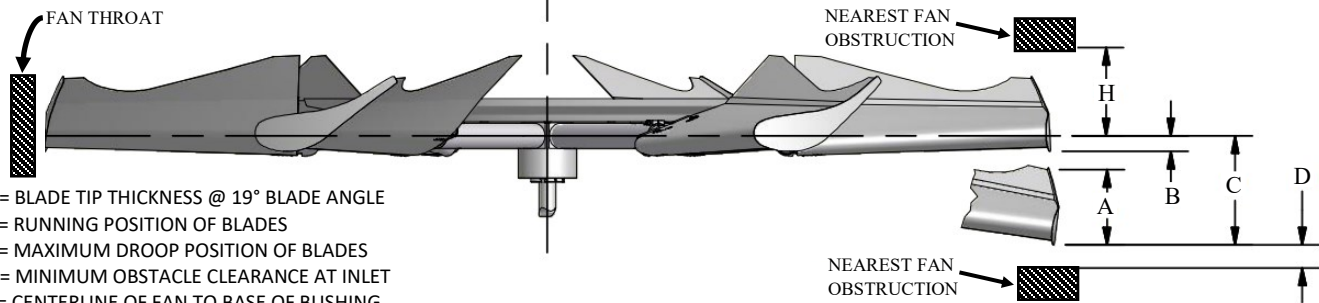
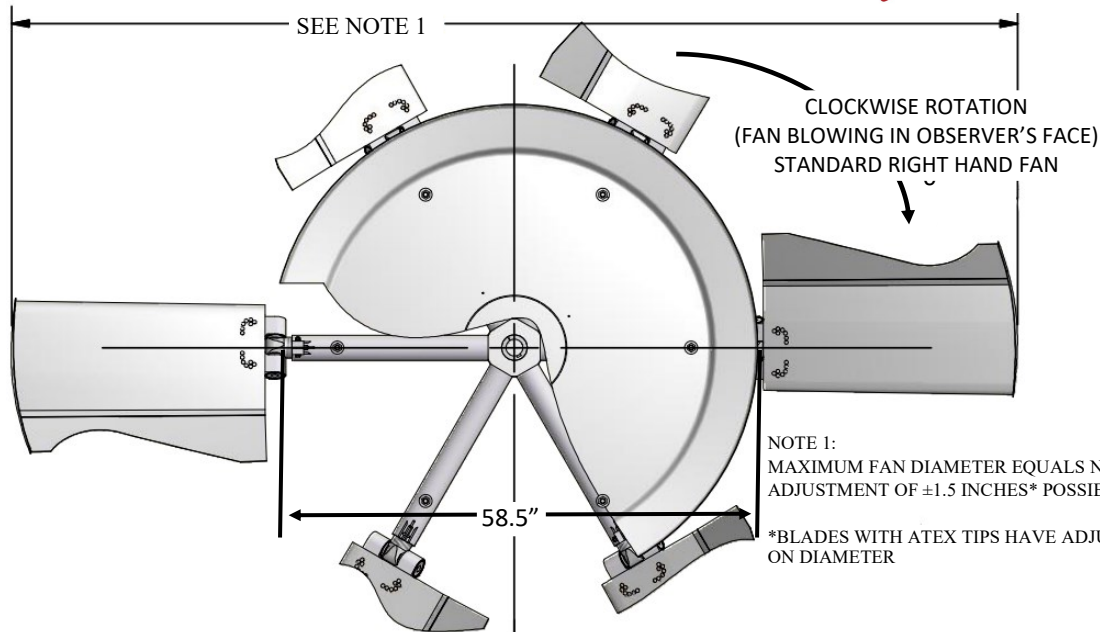
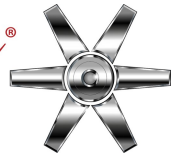


# CLASS 10000 HD SERIES 60 EC

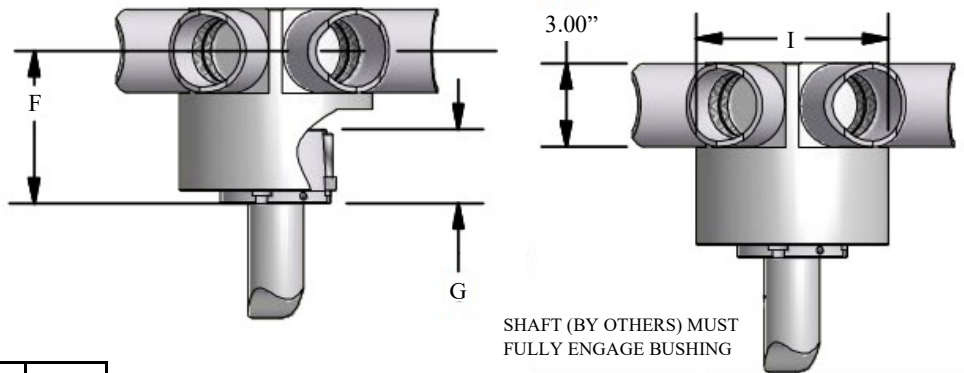
## EXTENDED CHORD, EXTENDED HUB, RH ROTATION

**Moore**  
FANS



- A = BLADE TIP THICKNESS @ 19° BLADE ANGLE
- B = RUNNING POSITION OF BLADES
- C = MAXIMUM DROOP POSITION OF BLADES
- D = MINIMUM OBSTACLE CLEARANCE AT INLET
- F = CENTERLINE OF FAN TO BASE OF BUSHING
- G = BUSHING OVERALL HEIGHT
- H = MINIMUM OBSTACLE CLEARANCE AT OUTLET
- I = NOMINAL MECHANICAL HUB DIAMETER
- L = MAX. BUSHING TORQUE FT. LBS.
- # = WITH S.A.E. STANDARD SQUARE KEYWAY
- \* = WITH SHALLOW KEYWAY IN BUSHING
- o = MAX METRIC BORE WITH STANDARD KEYWAY

BUSHING CAN BE INSTALLED ON  
INLET OR OUTLET SIDE OF FAN



WITH FAN OPERATING AT  
12000 FT/MINUTE BLADE TIP SPEED

PERCENT BLADE  
LOADING

100%    75%

DIA	A	B		C	D	H
		100%	75%			
10'	7.5"	5.9"	5.4"	7.1"	2.0"	14.0"
11'	7.5"	6.7"	6.1"	8.5"	2.0"	14.0"
12'	7.5"	7.7"	6.8"	10.0"	2.0"	14.0"
13'	7.5"	8.9"	7.7"	11.9"	2.0"	14.0"
14'	7.5"	10.2"	8.7"	13.9"	2.0"	14.0"
15'	7.5"	11.7"	9.9"	16.1"	2.0"	14.0"
16'	7.5"	13.3"	11.1"	18.6"	2.0"	14.0"
17'	7.5"	15.1"	12.4"	21.2"	2.0"	14.0"
18'	7.5"	17.0"	13.9"	24.1"	2.0"	14.0"
19'	7.5"	19.0"	15.5"	27.2"	2.0"	14.0"
20'	7.5"	21.2"	17.1"	30.4"	2.0"	14.0"

MAX BLADES	BUSHING TYPE	MAX # BORE	MAX * BORE	MAX o BORE	I	F	G	L
6	U	2.750"	2.938"	75	7"	5.5", 8.0" OR 12"	2.7"	4000
8	U	2.750"	2.938"	75	9"		2.7"	4000
8	W	3.750"	4.000"	100	9"		2.8"	7300
12	U	2.750"	2.938"	75	12"		2.7"	4000
12	W	3.750"	4.000"	100	12"		2.8"	7300
12	Z	5.000"	5.500"	140	12"		4.0"	18000