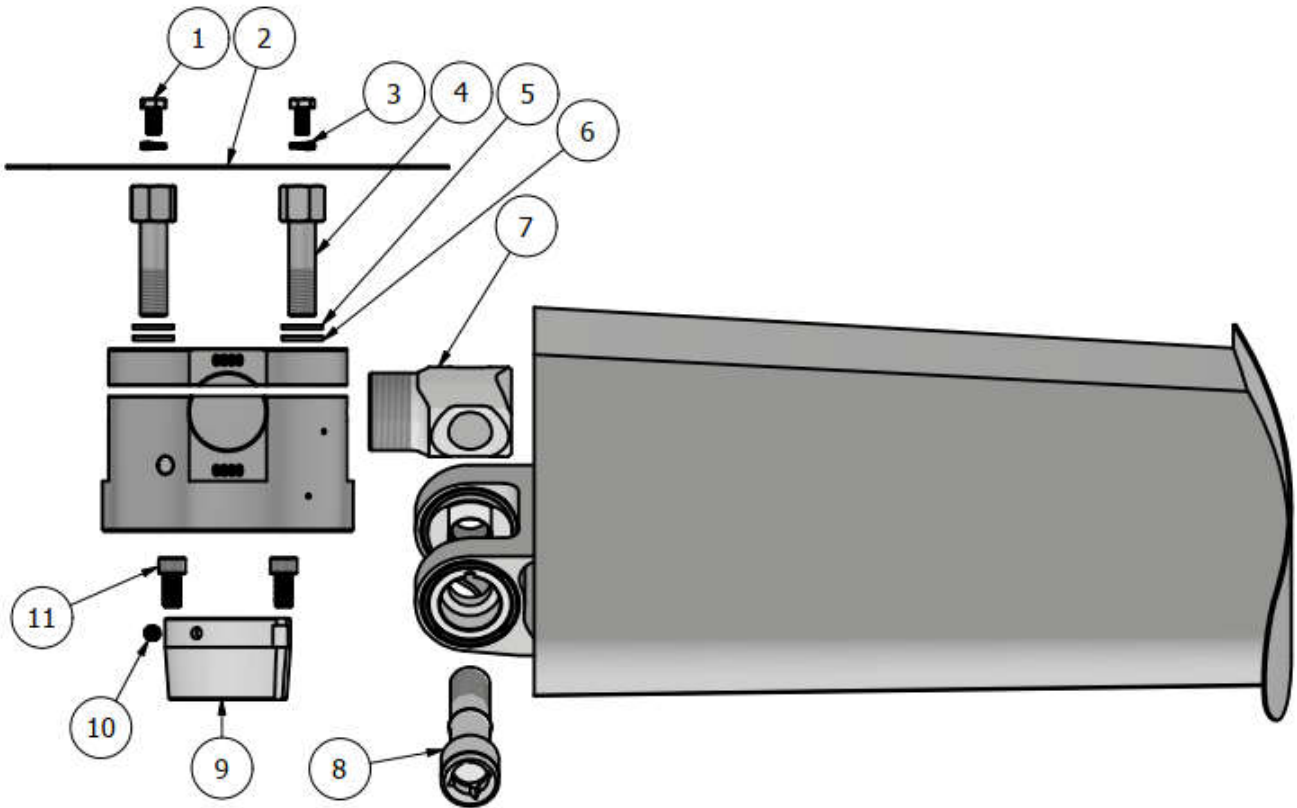




CLASS 10000 HD SERIES 12

PARTS LIST



ITEM	PART NUMBER	DESCRIPTION
1	2301	AIR SEAL 8MM SS BOLT
2		AIR SEAL
3	3081	AIR SEAL 8MM SS SPLIT LOCK WASHER
4	7110	16MM CLAMP BOLT
5	1501	16MM SS LOCK WASHER
6	120	16MM SS FLAT WASHER
7	7109	ROD END
8	9940	BLADE BOLT
9		T BUSHING
10	6900	8MM SS CUP POINT SET SCREW
11	6986	12MM T BUSHING BOLT