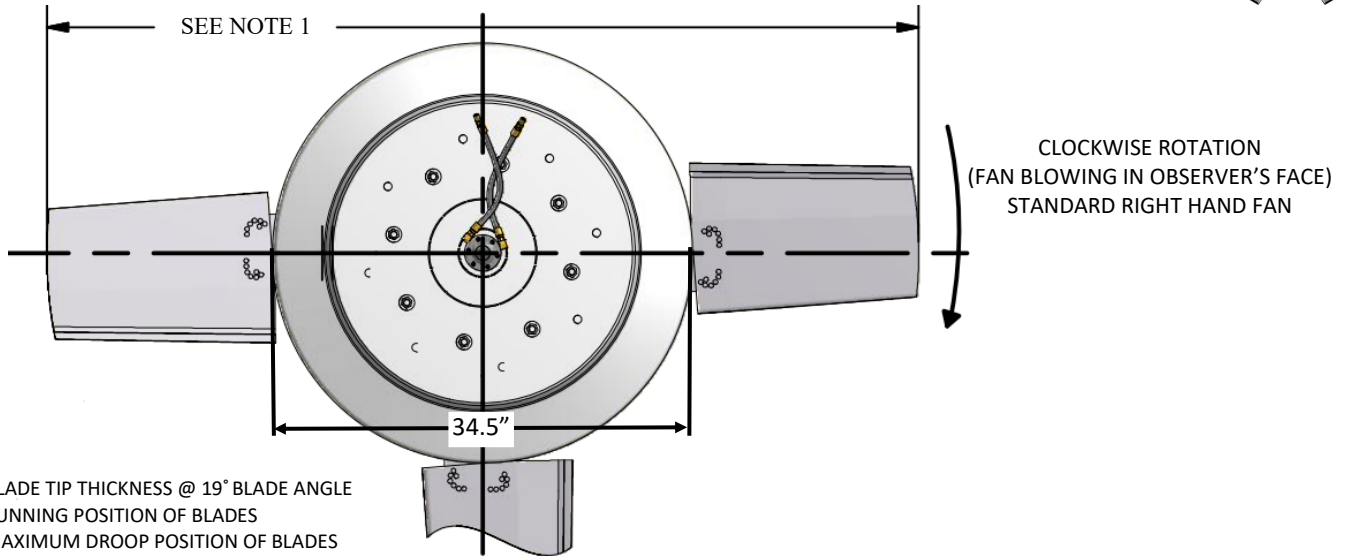
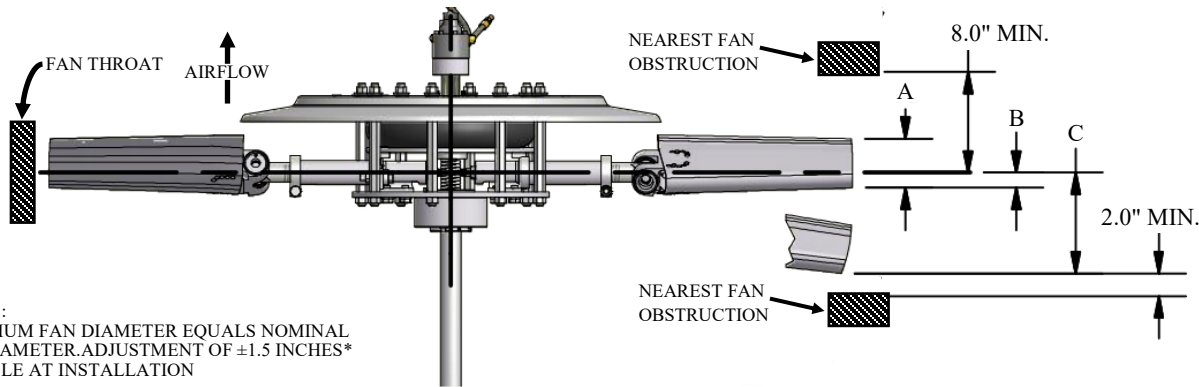


CLASS 10000 SERIES 36 SC

CSP AUTOMATIC FAN, RH ROTATION

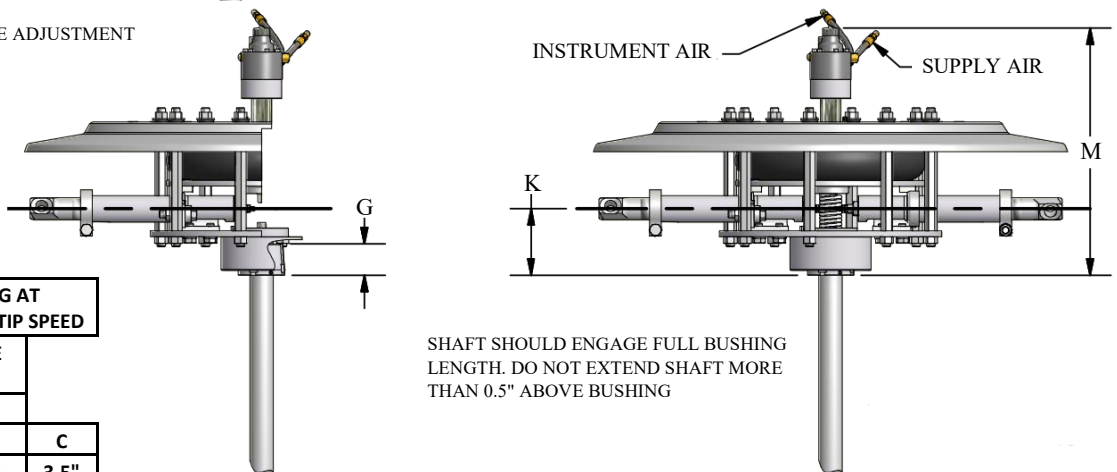


- A = BLADE TIP THICKNESS @ 19° BLADE ANGLE
- B = RUNNING POSITION OF BLADES
- C = MAXIMUM DROOP POSITION OF BLADES
- G = BUSHING OVERALL HEIGHT
- K = CENTERLINE OF FAN TO BASE OF BUSHING
- # = WITH S.A.E. STANDARD SQUARE KEYWAY
- *= WITH SHALLOW KEYWAY IN BUSHING
- o = MAX METRIC BORE WITH STANDARD KEYWAY



NOTE 1:
MAXIMUM FAN DIAMETER EQUALS NOMINAL FAN DIAMETER. ADJUSTMENT OF ±1.5 INCHES* POSSIBLE AT INSTALLATION

*BLADES WITH ATEX TIPS HAVE ADJUSTMENT OF -1.0" & +2.0" ON DIAMETER



WITH FAN OPERATING AT
12000 FT/MINUTE BLADE TIP SPEED

PERCENT BLADE
LOADING

100% 75%

DIA	A	B		C
		100%	75%	
6'	4.6"	1.5"	1.3"	3.5"
7'	4.2"	1.8"	1.5"	3.8"
8'	3.8"	2.1"	1.8"	4.1"
9'	3.4"	2.6"	2.1"	4.6"
10'	3.0"	3.1"	2.4"	5.1"
11'	2.6"	3.8"	3.1"	5.8"
12'	2.2"	4.6"	3.6"	6.6"

MAX BLADES	BUSHING TYPE	MAX # BORE	MAX * BORE	MAX o BORE	G	K	M
8	U	2.75"	2.938"	75	2.7"	5.8"	21.1"
8	W	3.750"	4.000"	100	2.8"	8.7"	24.1"