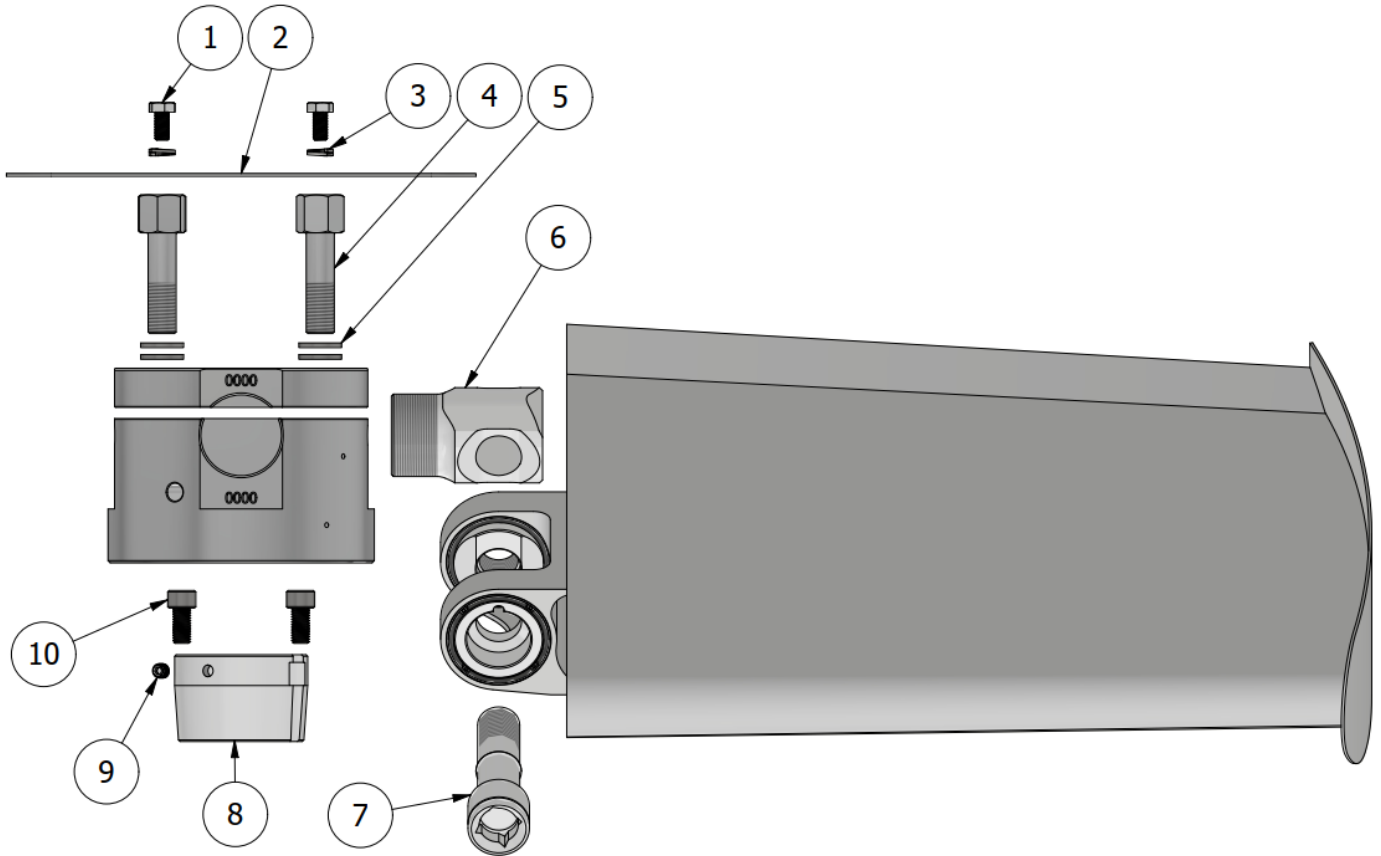




CLASS 10000 HD SERIES 12

PARTS LIST



ITEM	DESCRIPTION
1	SERIES 12 AIR SEAL 8MM SS BOLT
2	SERIES 12 AIR SEAL
3	SERIES 12 AIR SEAL 8MM SS SPLIT LOCK WASHER
4	SERIES 12 16MM CLAMP BOLT
5	SERIES 12 16MM SS FLAT WASHER
6	SERIES 12 ROD END
7	SERIES 12 BLADE BOLT
8	T BUSHING
9	8MM SS CUP POINT SET SCREW
10	12MM T BUSHING BOLT