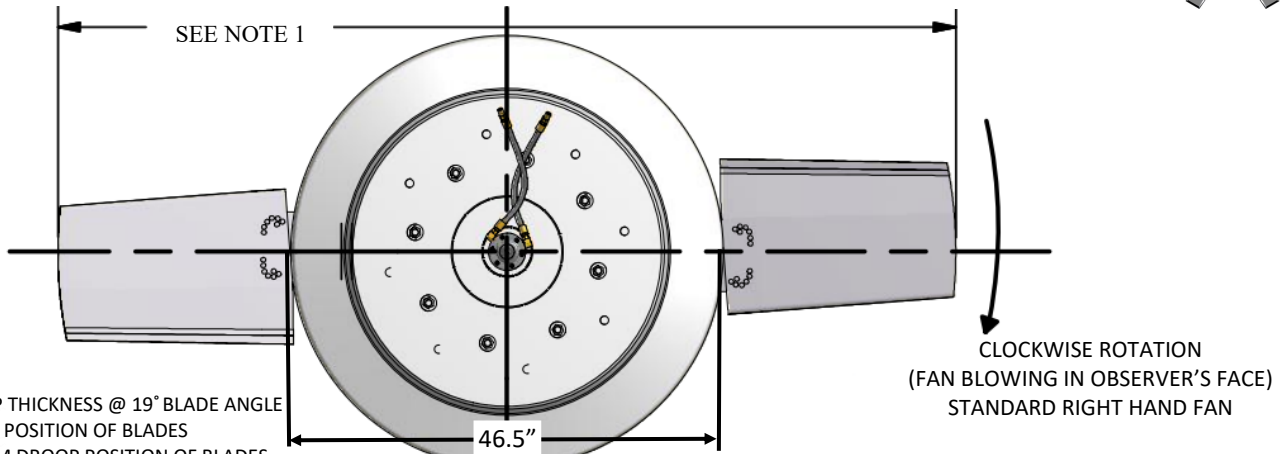
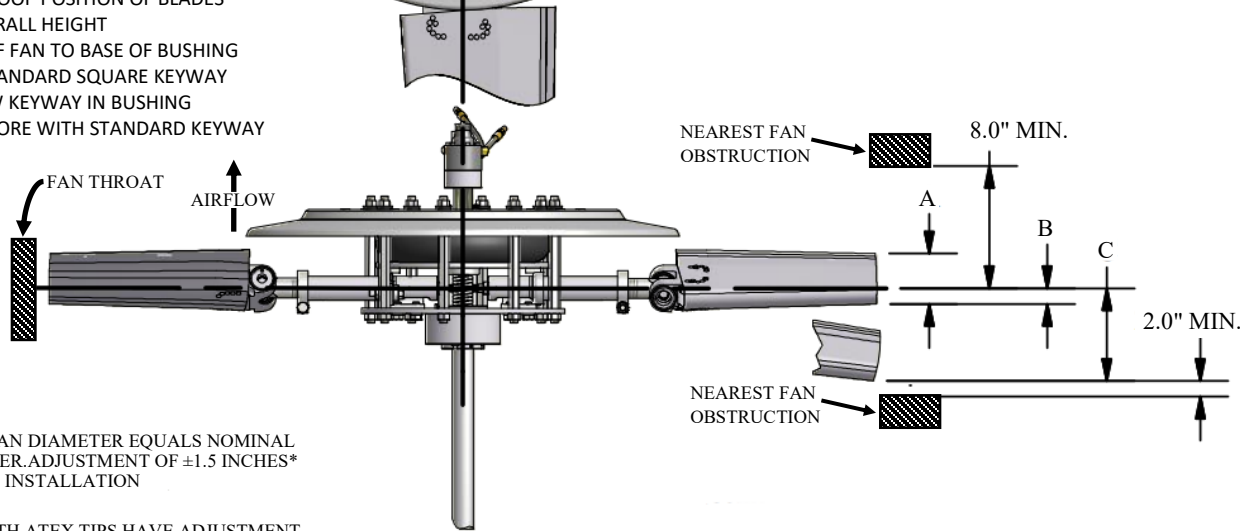


CLASS 10000 SERIES 48 SC

CSP AUTOMATIC FAN, RH ROTATION

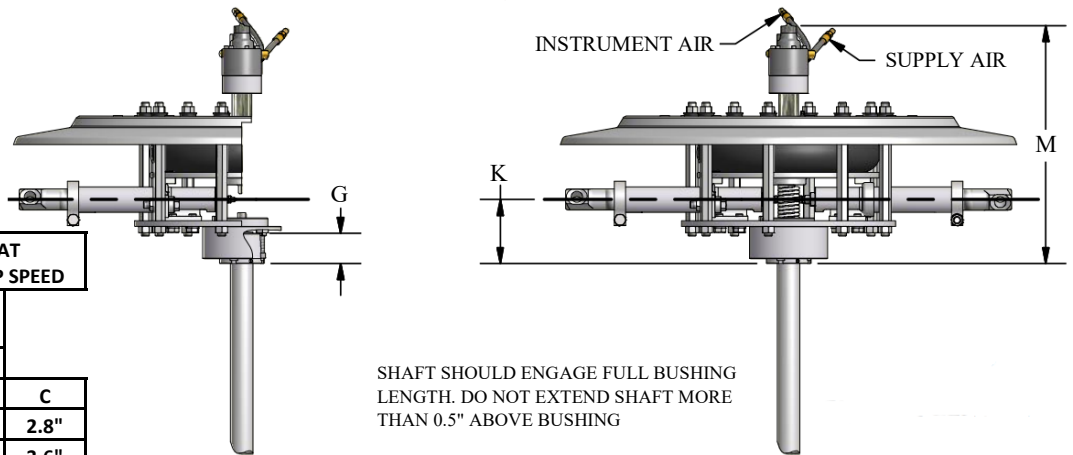


- A = BLADE TIP THICKNESS @ 19° BLADE ANGLE
- B = RUNNING POSITION OF BLADES
- C = MAXIMUM DROOP POSITION OF BLADES
- G = BUSHING OVERALL HEIGHT
- K = CENTERLINE OF FAN TO BASE OF BUSHING
- # = WITH S.A.E. STANDARD SQUARE KEYWAY
- * = WITH SHALLOW KEYWAY IN BUSHING
- o = MAX METRIC BORE WITH STANDARD KEYWAY



NOTE 1:
 MAXIMUM FAN DIAMETER EQUALS NOMINAL
 FAN DIAMETER. ADJUSTMENT OF ±1.5 INCHES*
 POSSIBLE AT INSTALLATION

*BLADES WITH ATEX TIPS HAVE ADJUSTMENT
 OF -1.0" & +2.0" ON DIAMETER



SHAFT SHOULD ENGAGE FULL BUSHING
 LENGTH. DO NOT EXTEND SHAFT MORE
 THAN 0.5" ABOVE BUSHING

WITH FAN OPERATING AT
 12000 FT/MINUTE BLADE TIP SPEED

PERCENT BLADE
 LOADING

DIA	PERCENT BLADE LOADING		
	A	B	C
8'	2.1"	2.3"	2.0"
9'	1.9"	2.7"	2.3"
10'	1.7"	3.3"	2.7"
11'	1.6"	3.9"	3.1"
12'	1.5"	4.5"	3.6"
13'	1.3"	5.3"	4.2"
14'	1.2"	6.1"	4.8"
15'	1.1"	7.0"	5.5"
16'	1.0"	8.0"	6.2"

MAX BLADES	BUSHING TYPE	MAX # BORE	MAX * BORE	MAX o BORE	G	K	M
10	U	2.75"	2.938"	75	2.7"	5.8"	21.1"
10	W	3.750"	4.000"	100	2.8"	8.7"	24.1"