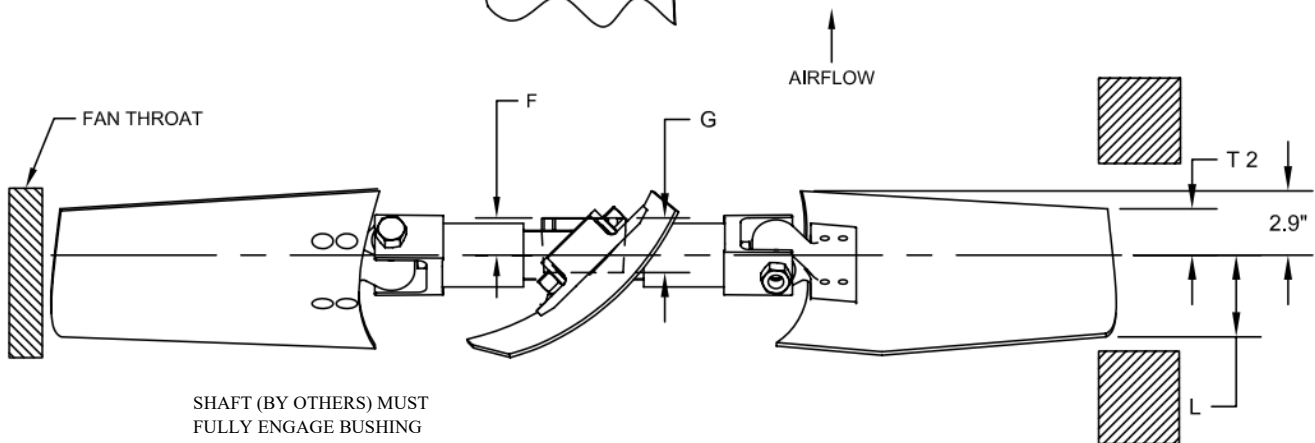
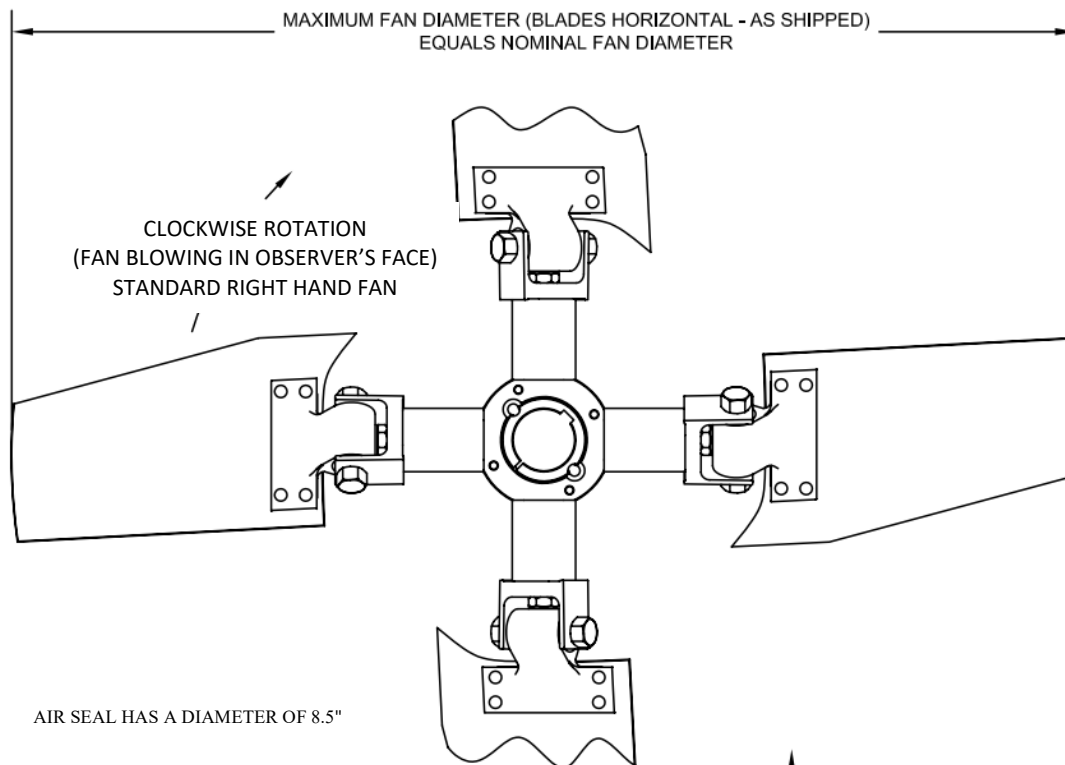


CLASS 1000 SERIES 16

RH ROTATION



SHAFT (BY OTHERS) MUST FULLY ENGAGE BUSHING

NOTES:

ALL MEASUREMENTS ASSUME HIGHEST BLADE LOADING ANGLE (50°)

FAN SHOWN WITHOUT AIRSEAL FOR CLARITY

- T2= FAN CENTER LINE TO TRAILING EDGE AT TIP
- F = CENTERLINE OF FAN TO BASE OF BUSHING (STANDARD HUB)
- G = OVERALL BUSHING LENGTH
- L = FAN CENTER LINE TO LEADING EDGE AT TIP
- # = WITH S.A.E. STANDARD SQUARE KEYWAY
- * = WITH SHALLOW KEYWAY IN BUSHING

WITH FAN OPERATING AT 12000 FT/MINUTE BLADE TIP SPEED		
PERCENT BLADE LOADING		
100%		

DIA	T2	L
36"	1.6"	3.6"
42"	0.8"	3.9"
48"	0.1"	4.2"
54"	-0.9"	4.8"
60"	-2.1"	5.5"

MAX BLADES	BUSHING TYPE	MAX # BORE	MAX * BORE		
				F	G
8	T	2.000"	2.188"	1.3"	1.9"
8	U	2.750"	2.938"	1.6"	2.7"