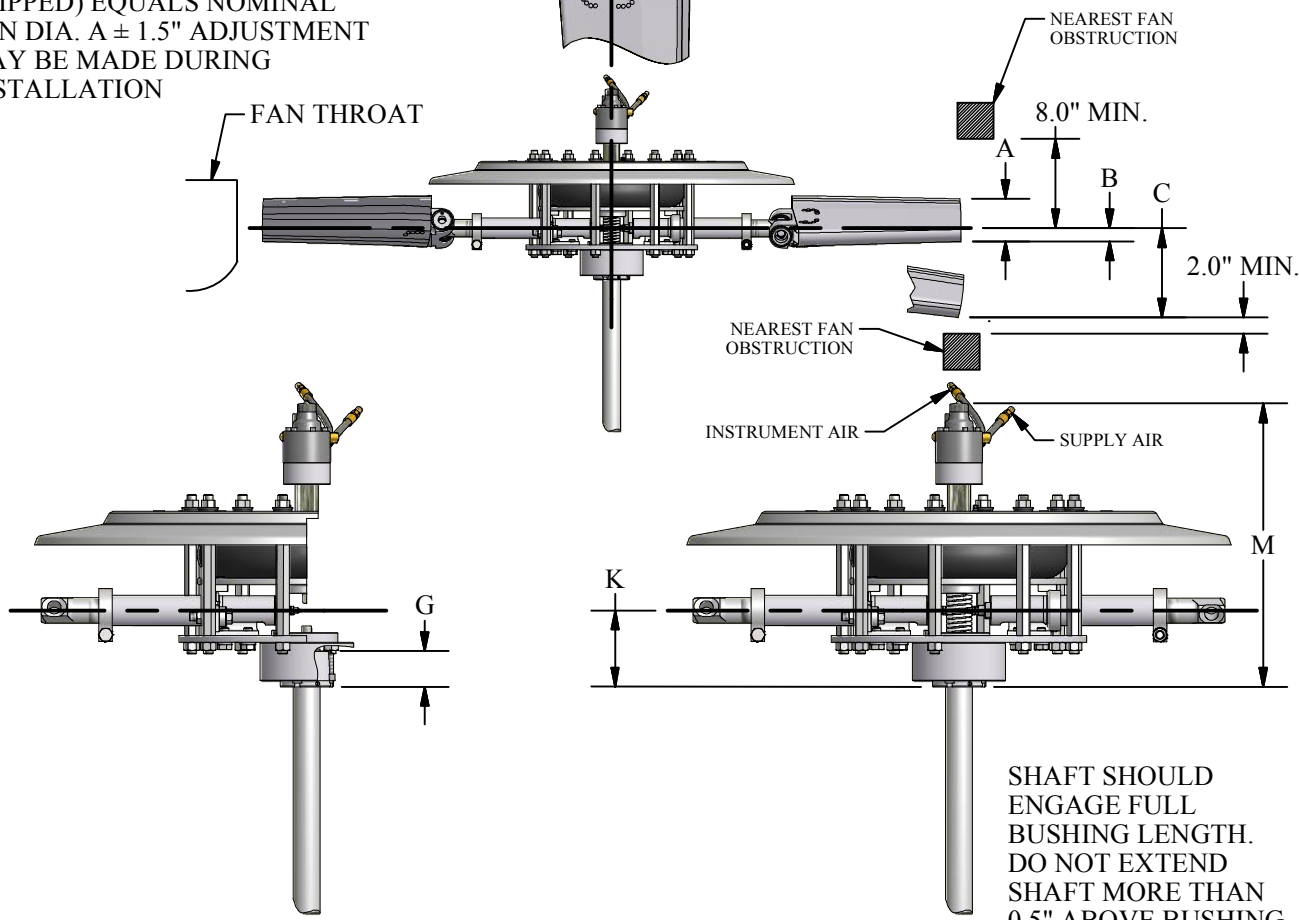


ROTATION: CLOCKWISE
LOOKING INTO DISCHARGE

NOTE 1: MAXIMUM FAN DIA.
BLADES HORIZONTAL (AS
SHIPPED) EQUALS NOMINAL
FAN DIA. A ± 1.5" ADJUSTMENT
MAY BE MADE DURING
INSTALLATION



SHAFT SHOULD
ENGAGE FULL
BUSHING LENGTH.
DO NOT EXTEND
SHAFT MORE THAN
0.5" ABOVE BUSHING

LETTER DIMENSIONS MAY
VARY WITH BLADE ANGLE
AND LOADING

- A = BLADE TIP THICKNESS
- B = RUNNING POSITION OF BLADES
- C = MAXIMUM DROOP POSITION OF BLADES
- G = BUSHING OVERALL HEIGHT
- K = CENTERLINE OF FAN TO BASE OF BUSHING
- # = WITH S.A.E. STANDARD SQUARE KEYWAY
- * = WITH SHALLOW KEYWAY IN BUSHING
- @ = MAX METRIC BORE WITH STANDARD KEYWAY

WITH FAN OPERATING AT 12000
FT-MINUTE BLADE TIP SPEED
PERCENT BLADE LOADING

DIA (ft)	100%		75%	
	A (in.)	B (in.)	B (in.)	C (in.)
10	1.9	3.0	2.5	4.0
11	1.7	3.7	3.0	5.0
12	1.6	4.4	3.6	6.2
13	1.5	5.3	4.2	7.5
14	1.4	6.2	4.9	8.8
15	1.2	7.2	5.6	10.3
16	1.1	8.3	6.4	12.0

MAX BLADES	BUSHING TYPE	MAX. # BORE	MAX. * BORE	MAX. @ BORE	DIM. "G"	DIM. "K"	DIM. "M"
12	U	2.75"	2.938"	75mm	2.7"	5.8"	21.1"
12	W	3.750"	4.000"	100mm	2.8"	8.7"	24.1"
12	X	3.750"	4.000"	100mm	4.0"	8.7"	24.1"



SERIES 60 CSP AUTOMATIC FAN