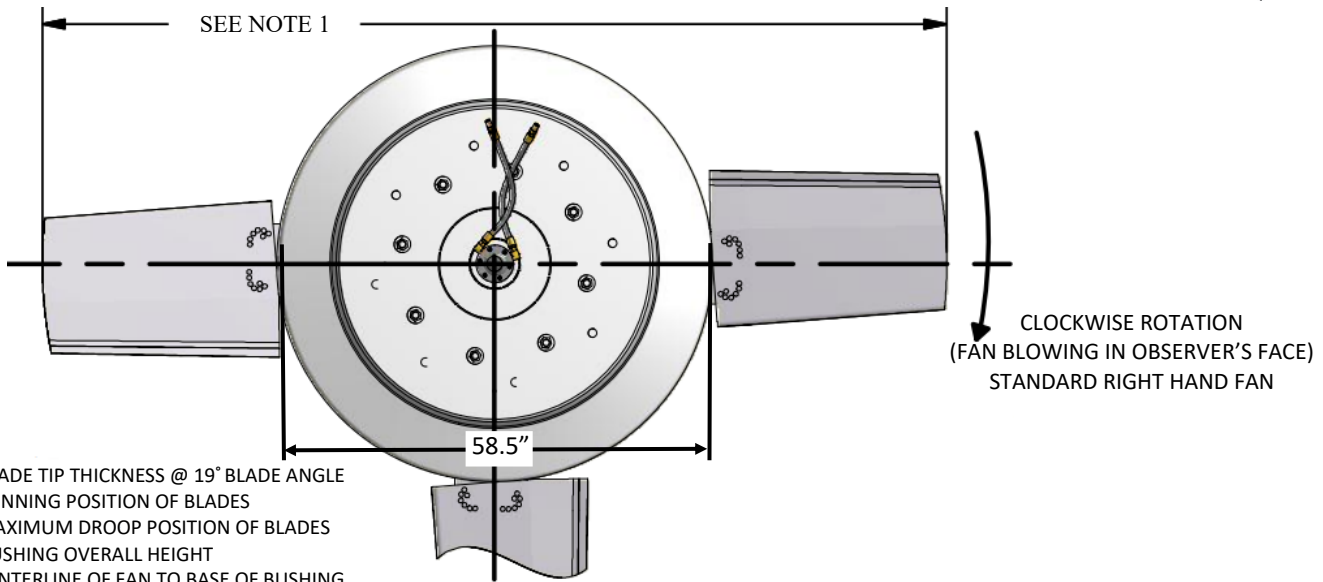
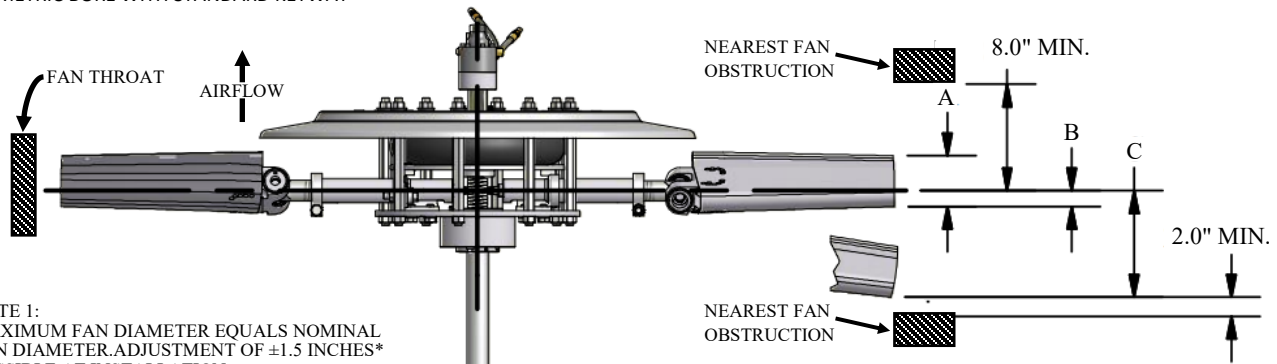


CLASS 10000 SERIES 60 SC

CSP AUTOMATIC FAN, RH ROTATION

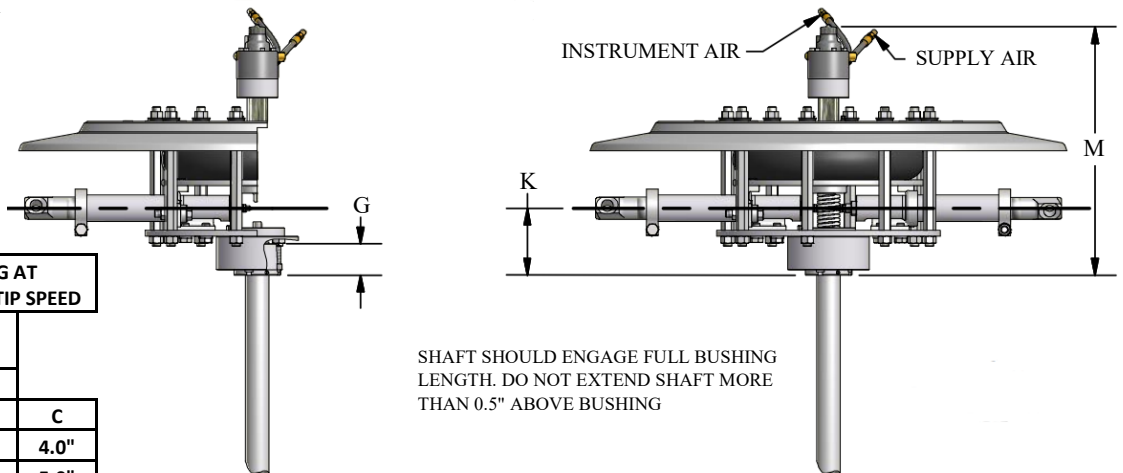


- A = BLADE TIP THICKNESS @ 19° BLADE ANGLE
- B = RUNNING POSITION OF BLADES
- C = MAXIMUM DROOP POSITION OF BLADES
- G = BUSHING OVERALL HEIGHT
- K = CENTERLINE OF FAN TO BASE OF BUSHING
- # = WITH S.A.E. STANDARD SQUARE KEYWAY
- * = WITH SHALLOW KEYWAY IN BUSHING
- o = MAX METRIC BORE WITH STANDARD KEYWAY



NOTE 1:
MAXIMUM FAN DIAMETER EQUALS NOMINAL
FAN DIAMETER. ADJUSTMENT OF ±1.5 INCHES*
POSSIBLE AT INSTALLATION

*BLADES WITH ATEX TIPS HAVE ADJUSTMENT
OF -1.0" & +2.0" ON DIAMETER



SHAFT SHOULD ENGAGE FULL BUSHING
LENGTH. DO NOT EXTEND SHAFT MORE
THAN 0.5" ABOVE BUSHING

WITH FAN OPERATING AT
12000 FT/MINUTE BLADE TIP SPEED

PERCENT BLADE
LOADING

DIA	PERCENT BLADE LOADING			C
	A	B	75%	
10'	1.9"	3.0"	2.5"	4.0"
11'	1.7"	3.7"	3.0"	5.0"
12'	1.6"	4.4"	3.6"	6.2"
13'	1.5"	5.3"	4.2"	7.5"
14'	1.4"	6.2"	4.9"	8.8"
15'	1.2"	7.2"	5.6"	10.3"
16'	1.1"	8.3"	6.4"	12.0"

MAX BLADES	BUSHING TYPE	MAX # BORE	MAX * BORE	MAX o BORE	G	K	M
12	U	2.75"	2.938"	75	2.7"	5.8"	21.1"
12	W	3.750"	4.000"	100	2.8"	8.7"	24.1"