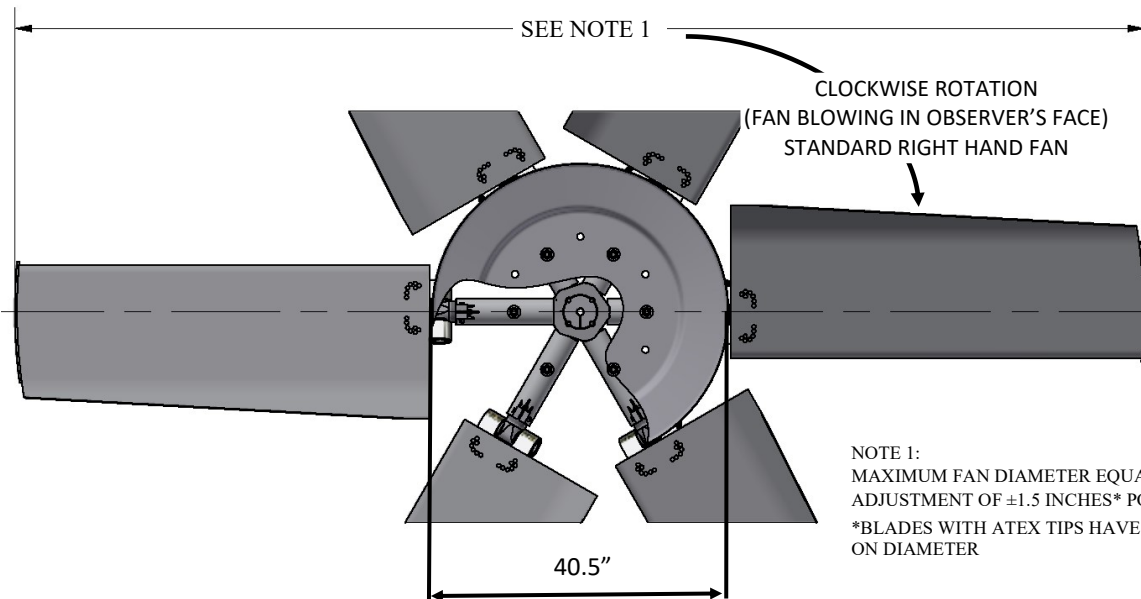


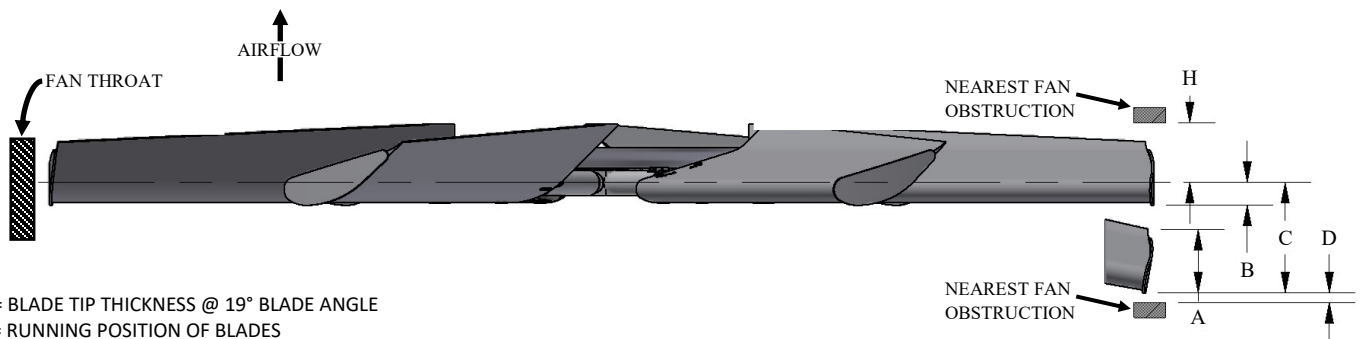
# CLASS 10000 HD SERIES 42 FRP

## FIBER REINFORCED POLYMER, RH ROTATION

**Moore**  
FANS

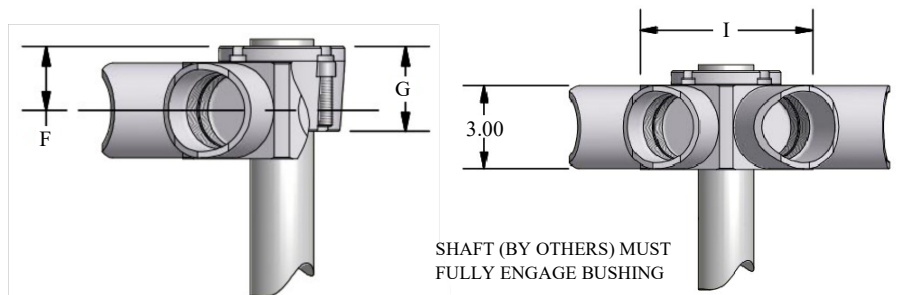


NOTE 1:  
MAXIMUM FAN DIAMETER EQUALS NOMINAL FAN DIAMETER.  
ADJUSTMENT OF ±1.5 INCHES\* POSSIBLE AT INSTALLATION  
\*BLADES WITH ATEX TIPS HAVE ADJUSTMENT OF -1.0" & +2.0" ON DIAMETER



- A = BLADE TIP THICKNESS @ 19° BLADE ANGLE
- B = RUNNING POSITION OF BLADES
- C = MAXIMUM DROOP POSITION OF BLADES
- D = MINIMUM OBSTACLE CLEARANCE AT INLET
- F = CENTERLINE OF FAN TO BASE OF BUSHING
- G = BUSHING OVERALL HEIGHT
- H = MINIMUM OBSTACLE CLEARANCE AT OUTLET
- I = NOMINAL MECHANICAL HUB DIAMETER
- L = MAXIMUM BUSHING TORQUE FT. LBS.
- # = WITH S.A.E. STANDARD SQUARE KEYWAY
- \* = WITH SHALLOW KEYWAY IN BUSHING
- ° = MAX METRIC BORE WITH STANDARD KEYWAY

BUSHING AND/OR AIR SEAL  
CAN BE INSTALLED ON INLET  
OR OUTLET SIDE OF FAN



**WITH FAN OPERATING AT  
12000 FT/MINUTE BLADE TIP SPEED**

DIA	PERCENT BLADE LOADING		C	D	H	
	100%	75%				
7'	8.4"	4.7"	4.6"	5.0"	2.0"	14.0"
8'	8.4"	5.0"	4.8"	5.4"	2.0"	14.0"
9'	8.4"	5.4"	5.1"	5.9"	2.0"	14.0"
10'	8.4"	5.8"	5.4"	6.4"	2.0"	14.0"
11'	8.4"	6.2"	5.8"	7.1"	2.0"	14.0"
12'	8.4"	6.7"	6.2"	7.8"	2.0"	14.0"
13'	8.4"	7.3"	6.6"	8.7"	2.0"	14.0"
14'	8.4"	7.9"	7.1"	9.6"	2.0"	14.0"

MAX BLADES	BUSHING TYPE	MAX # BORE	MAX * BORE *	MAX ° BORE	I	F	G	L
6	U	2.750"	2.938"	75	7"	2.0"	2.7"	4000
8	U	2.750"	2.938"	75	9"	2.0"	2.7"	4000
10	U	2.750"	2.938"	75	12"	2.0"	2.7"	4000
6	W	3.750"	4.000"	100	9"	2.2"	2.8"	7300
8	W	3.750"	4.000"	100	9"	2.2"	2.8"	7300
10	W	3.750"	4.000"	100	12"	2.2"	2.8"	7300
10	Z	5.000"	5.500"	140	12"	2.2"	4.0"	18000