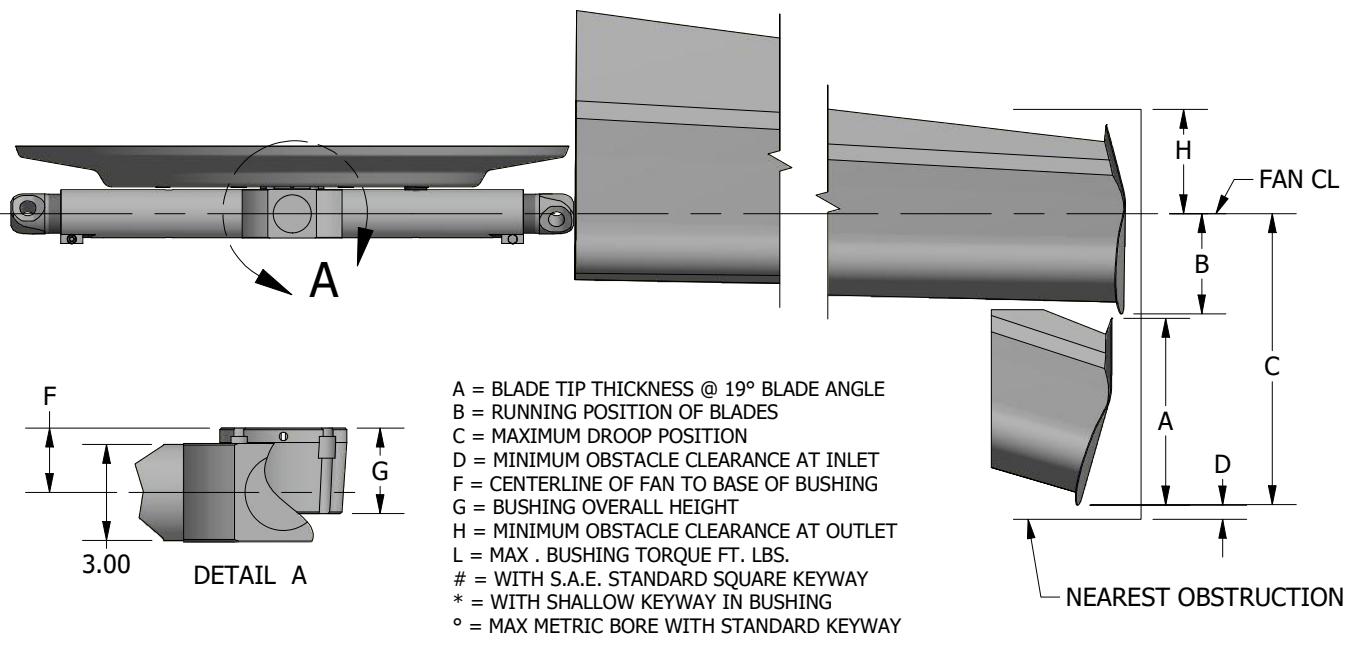


BLADES ARE NOT TO SCALE

NOTE 1:
 MAXIMUM FAN DIAMETER (BLADES HORIZONTAL - AS SHIPPED) EQUALS NOMINAL FAN DIAMETER. ADJUSTMENT OF ±1.5 INCHES* POSSIBLE AT INSTALLATION



3.00 DETAIL A

DIA	BLADE LOAD					
	A	B	B	C	D	H
8.5'	14.9"	6.4"	6.0"	7.4"	4.0"	16"
9'	14.6"	6.7"	6.2"	7.9"	4.0"	16"
10'	13.9"	7.5"	6.7"	9.0"	4.0"	16"
11'	13.2"	8.3"	7.3"	10.3"	4.0"	16"
12'	12.5"	9.3"	8.0"	11.8"	4.0"	16"
13'	11.8"	10.3"	8.7"	13.4"	4.0"	16"
14.5'	10.8"	12.1"	10.0"	16.3"	4.0"	16"

MAX BLADES	BUSHING TYPE	F	G	L	MAX * BORE	MAX # BORE	MAX ° BORE
8	U	2.0"	2.7"	4000	2.938"	2.750"	75
8	W	2.2"	2.8"	7300	4.000"	3.750"	100



SERIES 42 HD FAN XC RIGHT HAND ROTATION