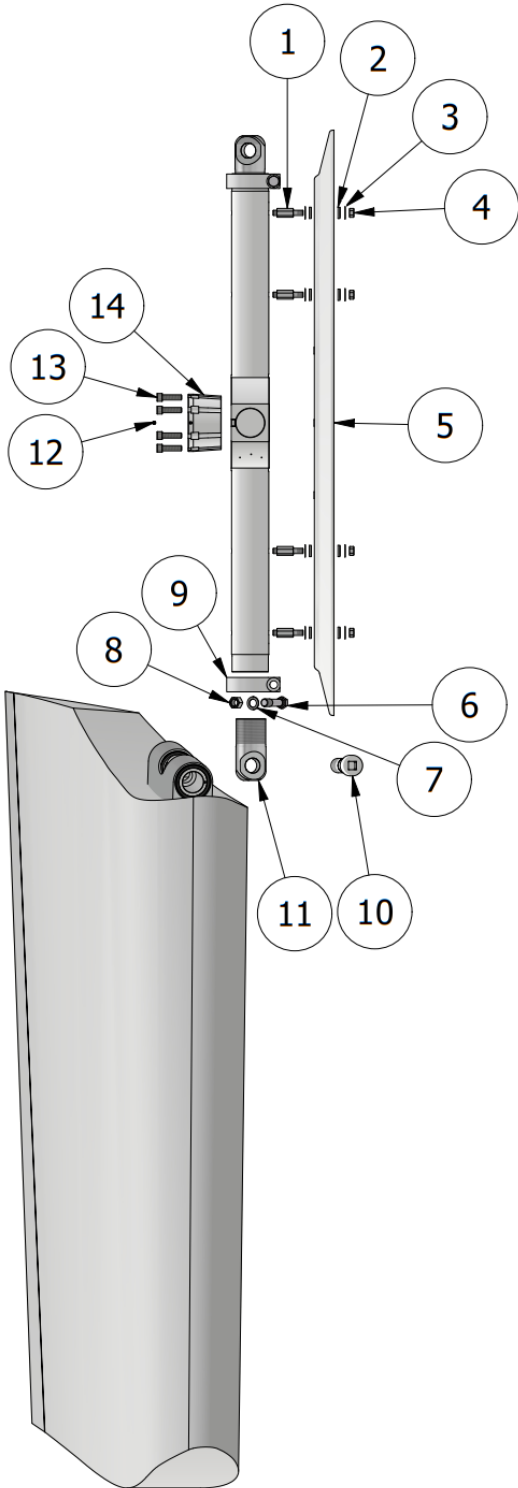




CLASS 10000 MAG LEFT HAND

PARTS LIST



ITEM	DESCRIPTION
1	AIR SEAL STUDS
2	RESILIENT WASHER
3	ALUMINUM FLAT WASHER
4	16MM NUT
5	AIR SEAL
6	CLAMP BOLT
7	CLAMP WASHER
8	CLAMP NUT
9	ROD END CLAMP
10	BLADE BOLT
11	ROD END
12	BUSHING SET SCREW
13	M16 X 2P X 60MM BUSHING BOLTS
14	BUSHING