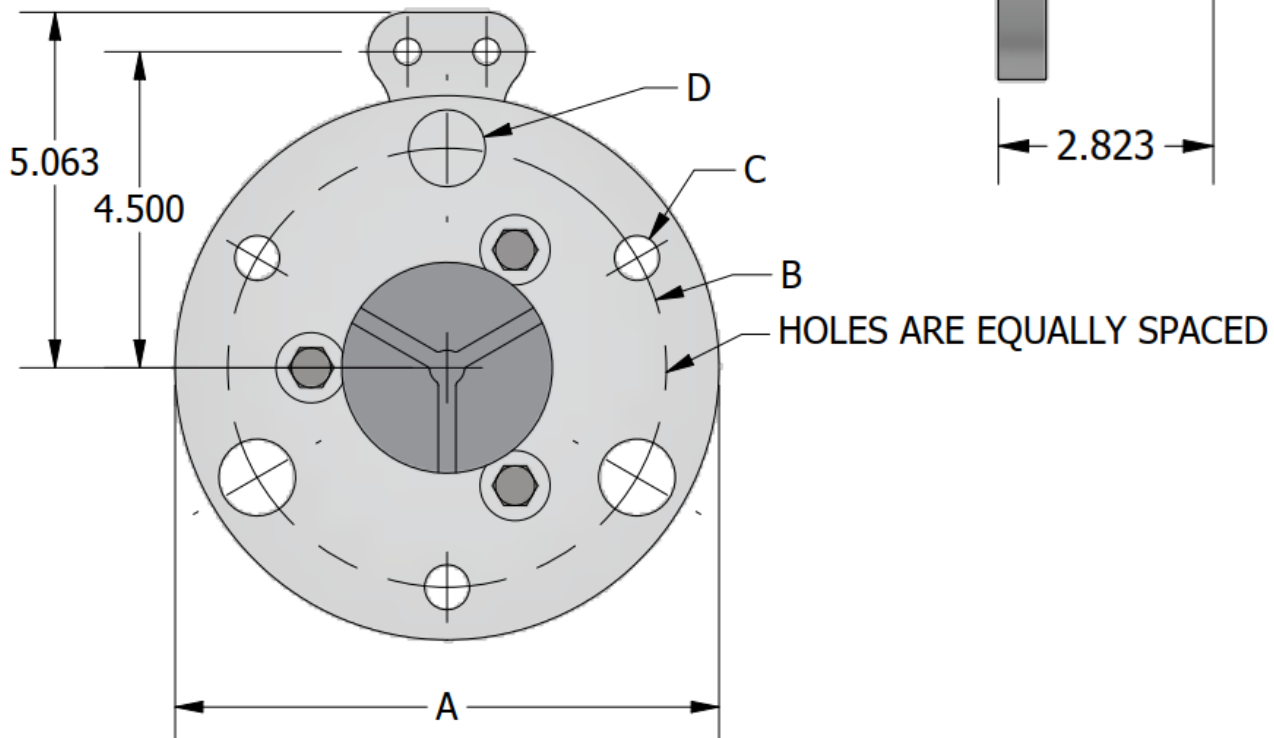
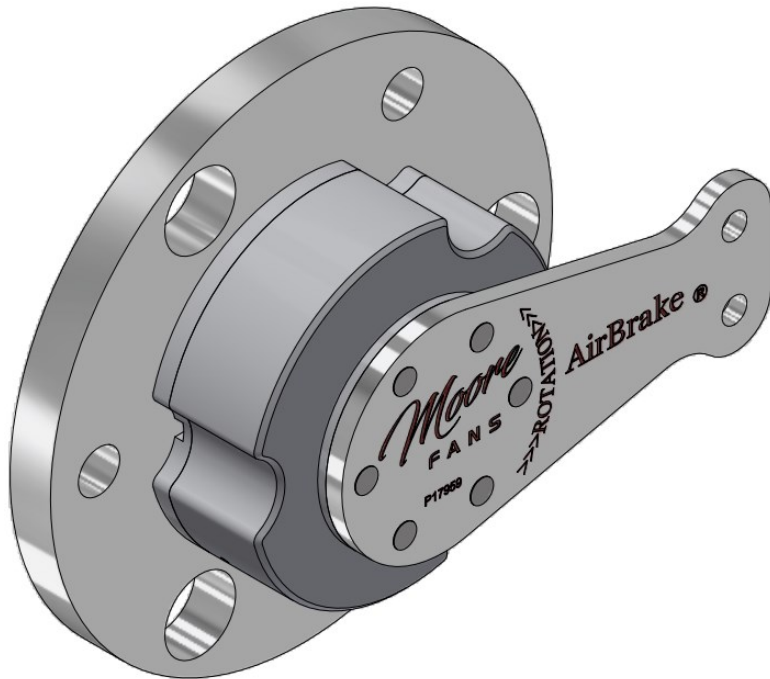


AIRBRAKE[®] BUSHING MOUNT

BUSHING SIZE E, F, J



BUSHING SIZE	Outer DIA. "A"	Bolt circle DIA. "B"	Hole DIA. "C"	Hole DIA. "D"
E	6.250	5.000	0.516	0.875
F	7.000	5.625	0.578	1.000
J	7.750	6.250	0.641	1.094