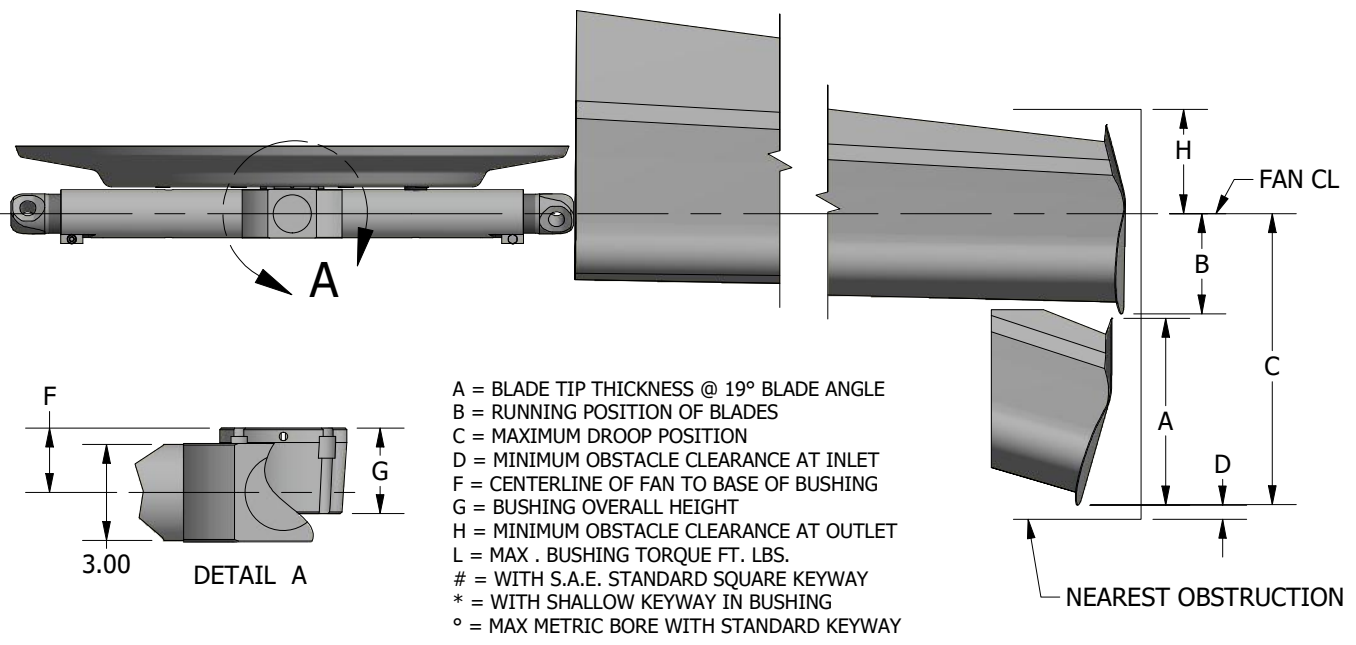


BLADES ARE NOT TO SCALE

NOTE 1:
 MAXIMUM FAN DIAMETER (BLADES HORIZONTAL - AS SHIPPED) EQUALS NOMINAL FAN DIAMETER. ADJUSTMENT OF ±1.5 INCHES* POSSIBLE AT INSTALLATION



- A = BLADE TIP THICKNESS @ 19° BLADE ANGLE
- B = RUNNING POSITION OF BLADES
- C = MAXIMUM DROOP POSITION
- D = MINIMUM OBSTACLE CLEARANCE AT INLET
- F = CENTERLINE OF FAN TO BASE OF BUSHING
- G = BUSHING OVERALL HEIGHT
- H = MINIMUM OBSTACLE CLEARANCE AT OUTLET
- L = MAX . BUSHING TORQUE FT. LBS.
- # = WITH S.A.E. STANDARD SQUARE KEYWAY
- * = WITH SHALLOW KEYWAY IN BUSHING
- ° = MAX METRIC BORE WITH STANDARD KEYWAY

BLADE LOAD
 100% 75%

DIA	A	B	B	C	D	H
8'	14.9"	6.4"	5.9"	7.2"	4.0"	16"
9'	14.2"	7.0"	6.3"	8.2"	4.0"	16"
10'	13.5"	7.7"	6.9"	9.4"	4.0"	16"
11'	12.9"	8.6"	7.5"	10.8"	4.0"	16"
12'	12.2"	9.6"	8.2"	12.4"	4.0"	16"
13'	11.5"	10.7"	9.0"	14.1"	4.0"	16"
14'	10.8"	11.9"	9.8"	15.9"	4.0"	16"

MAX BLADES	BUSHING TYPE	F	G	L	MAX * BORE	MAX # BORE	MAX ° BORE
8	U	2.0"	2.7"	4000	2.938"	2.750"	75
8	W	2.2"	2.8"	7300	4.000"	3.750"	100



SERIES 36 HD FAN XC RIGHT HAND ROTATION