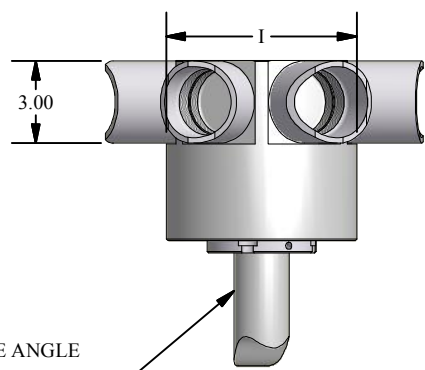
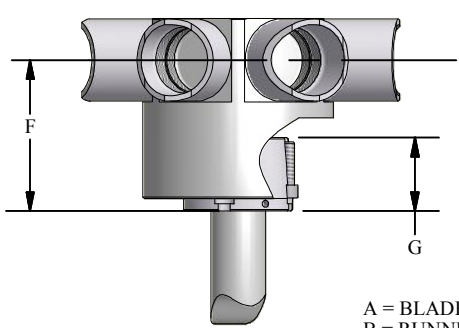
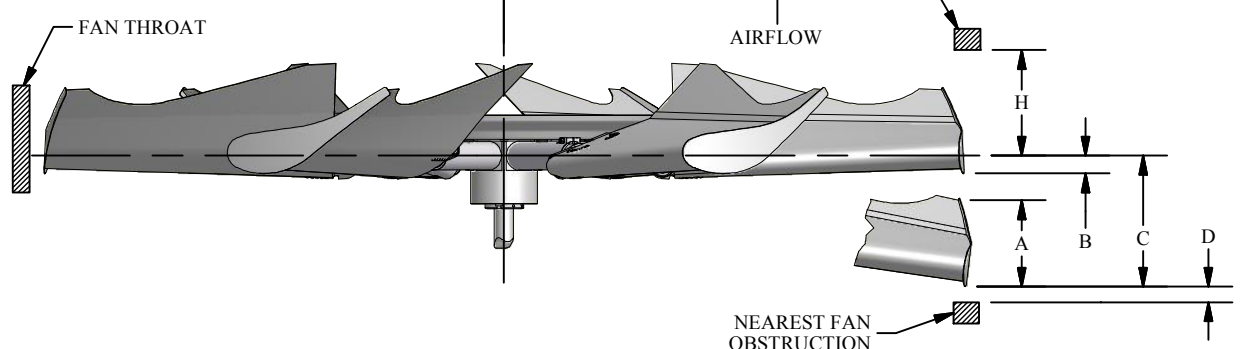


CLOCKWISE ROTATION
(FAN BLOWING IN OBSERVER'S FACE)
STANDARD RIGHT HAND FAN

NOTE 1:
MAXIMUM FAN DIAMETER (BLADES
HORIZONTAL - AS SHIPPED) EQUALS
NOMINAL FAN DIAMETER. ADJUSTMENT
OF ±1.5 INCHES POSSIBLE AT
INSTALLATION



BUSHING CAN BE INSTALLED ON
INLET OR OUTLET SIDE OF FAN

SHAFT (BY OTHERS) MUST
FULLY ENGAGE BUSHING

- A = BLADE TIP THICKNESS @ 19° BLADE ANGLE
- B = RUNNING POSITION OF BLADES
- C = MAXIMUM DROOP POSITION OF BLADES
- D = MINIMUM OBSTACLE CLEARANCE AT INLET
- F = CENTERLINE OF FAN TO BASE OF BUSHING
- G = BUSHING OVERALL HEIGHT
- H = MINIMUM OBSTACLE CLEARANCE AT OUTLET
- I = NOMINAL MECHANICAL HUB DIAMETER
- L = MAX. BUSHING TORQUE FT. LBS.
- # = WITH S.A.E. STANDARD SQUARE KEYWAY
- * = WITH SHALLOW KEYWAY IN BUSHING
- ° = MAX METRIC BORE WITH STANDARD KEYWAY

WITH FAN OPERATING AT 12000 FT: MINUTE BLADE TIP SPEED		
PERCENT BLADE LOADING		
	100%	75%

DIA	A	B	C	D	H	
6'	7.5"	4.5"	4.4"	4.9"	2.0"	14.0"
7'	7.5"	5.0"	4.8"	5.7"	2.0"	14.0"
8'	7.5"	5.6"	5.2"	6.6"	2.0"	14.0"
9'	7.5"	6.4"	5.8"	7.8"	2.0"	14.0"
10'	7.5"	7.3"	6.5"	9.2"	2.0"	14.0"
11'	7.5"	8.3"	7.3"	10.8"	2.0"	14.0"
12'	7.5"	9.5"	8.2"	12.7"	2.0"	14.0"

MAX BLADES	BUSHING TYPE	MAX # BORE	MAX * BORE	MAX ° BORE	I	F	G	L
6	U	2.750"	2.938"	75	7"	5.5", 8.0" OR 12"	2.7"	4000
8	U	2.750"	2.938"	75	9"	5.5", 8.0" OR 12"	2.7"	4000
8	W	3.750"	4.000"	100	9"	5.5", 8.0" OR 12"	2.8"	7300
8	X	3.750"	4.000"	100	9"	5.5", 8.0" OR 12"	4.0"	9800



SERIES 36 EXTENDED CHORD EXTENDED HUB HD FAN - RIGHT HAND ROTATION