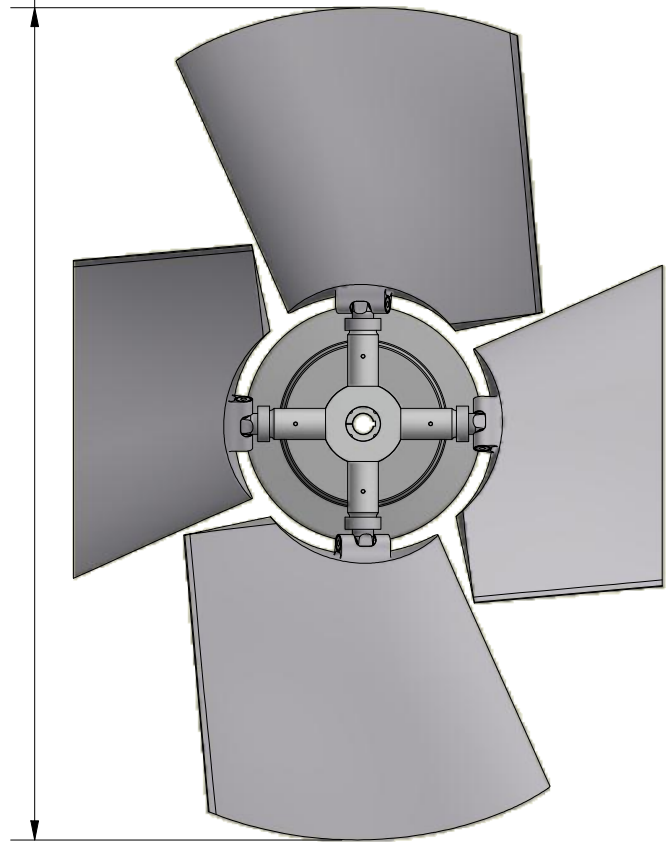


MAXIMUM FAN DIAMETER  
BLADE TIPS AT FAN  
CENTERLINE EQUALS  
NOMINAL FAN DIAMETER



WITH FAN OPERATING  
AT 12000 FT:MINUTE  
BLADE TIP SPEED  
PERCENT BLADE  
LOADING

DIA	A	B		C	D	H
		100%	75%			
5.0'	7.5"	0.6"	0.5"	0.8"	2.0"	14.0"
5.5'	7.5"	0.9"	0.7"	1.2"	2.0"	14.0"
6.0'	7.5"	1.2"	0.9"	1.7"	2.0"	14.0"
6.5'	7.5"	1.6"	1.2"	2.3"	2.0"	14.0"
7.0'	7.5"	2.0"	1.5"	2.9"	2.0"	14.0"

- A = BLADE TIP THICKNESS @ 19° BLADE ANGLE
- B = RUNNING POSITION OF BLADES
- C = MAXIMUM DROOP POSITION OF BLADES
- D = MINIMUM OBSTACLE CLEARANCE AT INLET
- F = CENTERLINE OF FAN TO BASE OF BUSHING
- G = BUSHING OVERALL HEIGHT
- H = MINIMUM OBSTACLE CLEARANCE AT OUTLET
- I = NOMINAL MECHANICAL HUB DIAMETER
- L = MAX . BUSHING TORQUE FT. LBS.
- # = WITH S.A.E. STANDARD SQUARE KEYWAY
- \* = WITH SHALLOW KEYWAY IN BUSHING
- ° = MAX METRIC BORE WITH STANDARD KEYWAY

NUMBER OF BLADES	BUSHING TYPE	MAX # BORE	MAX * BORE	MAX ° BORE	I	F	G	L
					3,4,5	U	2.75"	2.938"



## SERIES 24 HD MAG LEFT HAND ROTATION