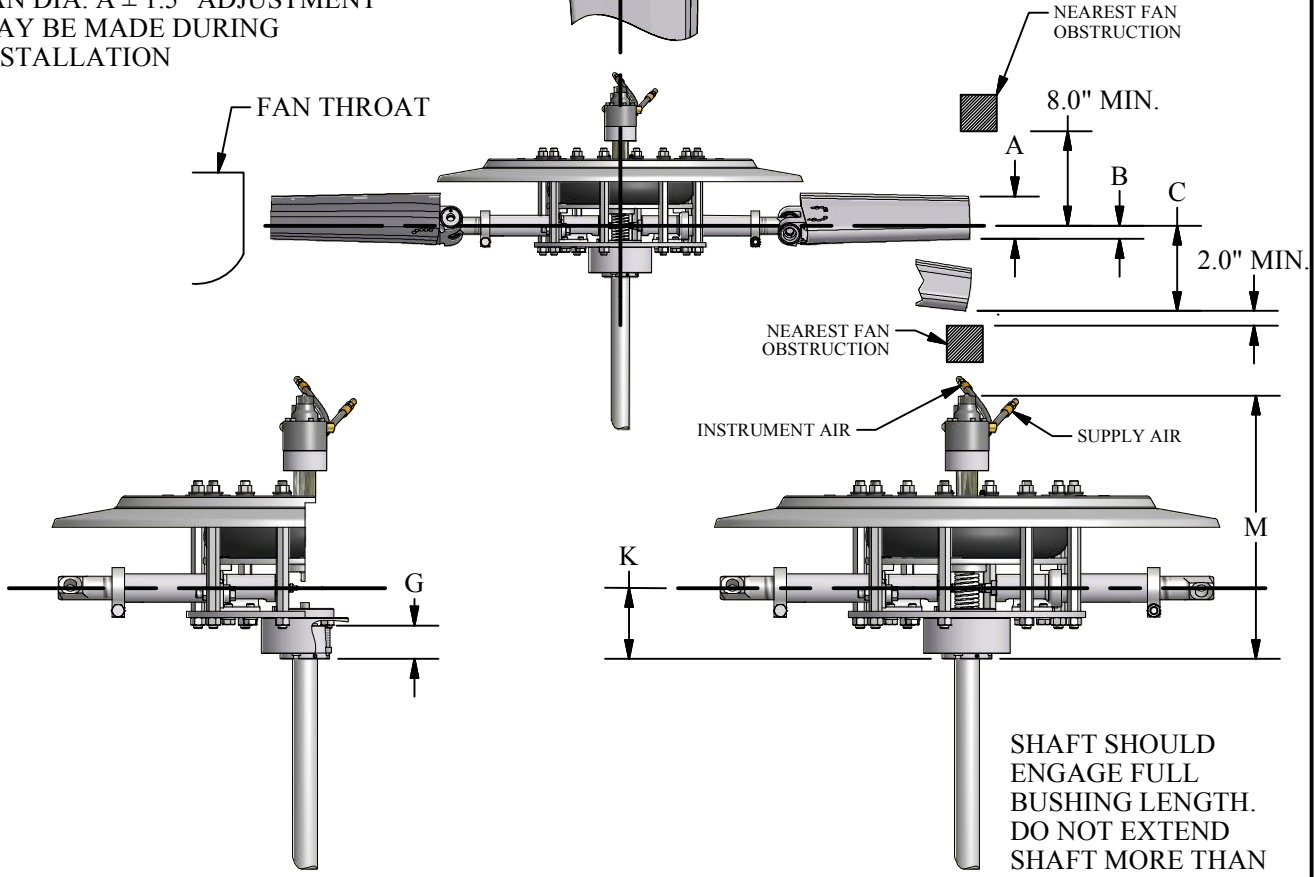


ROTATION: CLOCKWISE  
LOOKING INTO DISCHARGE

**NOTE 1:** MAXIMUM FAN DIA.  
BLADES HORIZONTAL (AS  
SHIPPED) EQUALS NOMINAL  
FAN DIA. A ± 1.5" ADJUSTMENT  
MAY BE MADE DURING  
INSTALLATION



SHAFT SHOULD  
ENGAGE FULL  
BUSHING LENGTH.  
DO NOT EXTEND  
SHAFT MORE THAN  
0.5" ABOVE BUSHING

- A = BLADE TIP THICKNESS
- B = RUNNING POSITION OF BLADES
- C = MAXIMUM DROOP POSITION OF BLADES
- G = BUSHING OVERALL HEIGHT
- K = CENTERLINE OF FAN TO BASE OF BUSHING
- # = WITH S.A.E. STANDARD SQUARE KEYWAY
- \* = WITH SHALLOW KEYWAY IN BUSHING
- @ = MAX METRIC BORE WITH STANDARD KEYWAY

LETTER DIMENSIONS MAY  
VARY WITH BLADE ANGLE  
AND LOADING

WITH FAN OPERATING AT 12000 FT-MINUTE BLADE TIP SPEED			
PERCENT BLADE LOADING			
	100%	75%	

DIA (ft)	A (in.)	B (in.)	B (in.)	C (in.)
11	2.2	3.4	2.8	4.5
12	2.1	4.3	3.5	5.8
13	1.9	5.1	4.1	7.1
14	1.8	6.0	4.8	8.5
15	1.7	7.0	5.6	10.0
16	1.5	8.1	6.4	11.6

MAX BLADES	BUSHING TYPE	MAX. # BORE	MAX. * BORE	MAX. @ BORE	DIM. "G"	DIM. "K"	DIM. "M"
12	U	2.75"	2.938"	75mm	2.7"	5.8"	21.1"
12	W	3.750"	4.000"	100mm	2.8"	8.7"	24.1"
12	X	3.750"	4.000"	100mm	4.0"	8.7"	24.1"



# SERIES 72 CSP AUTOMATIC FAN