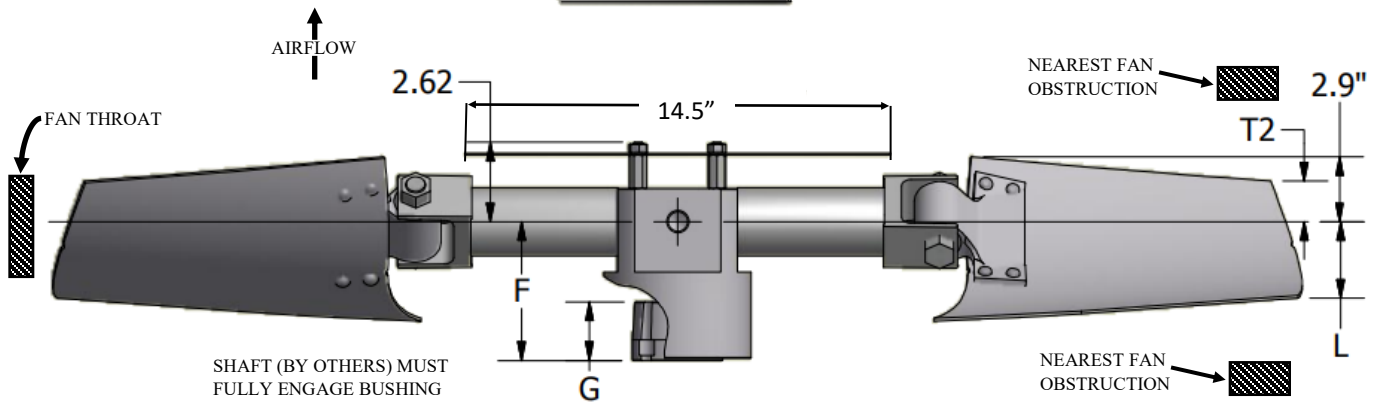
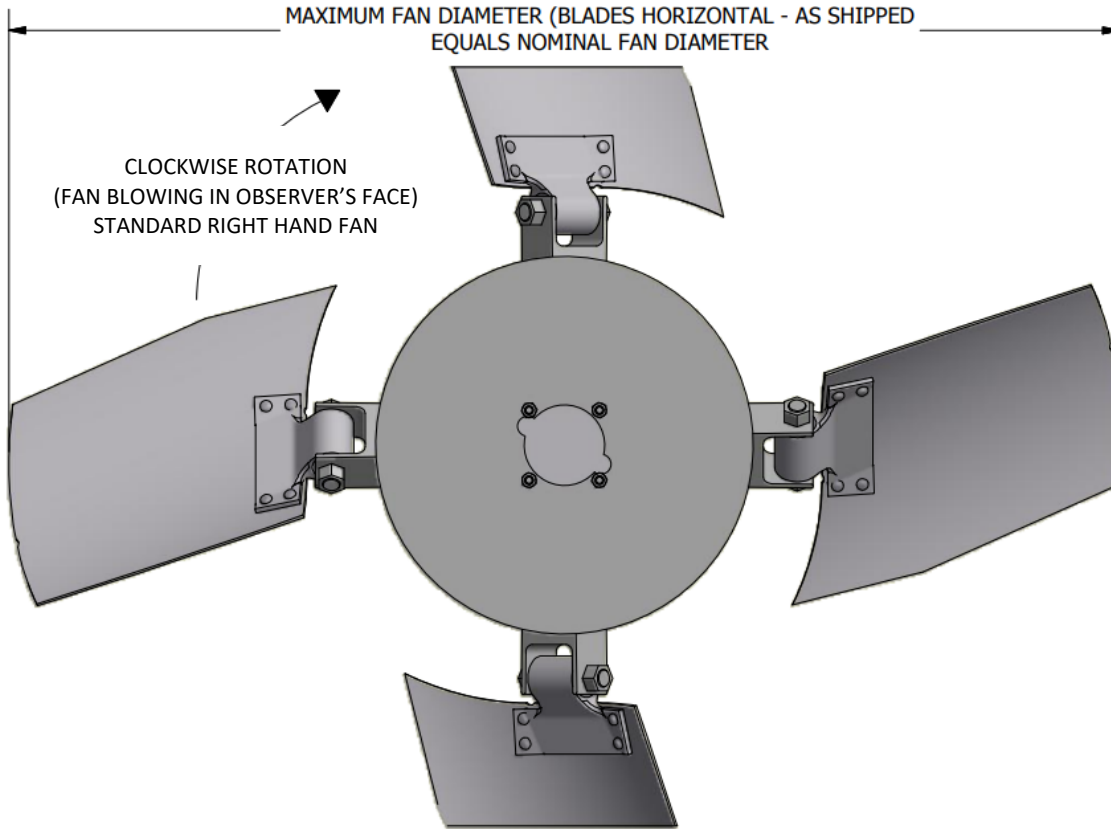


CLASS 1000 SERIES 16

EXTENDED HUB, RH ROTATION



SHAFT (BY OTHERS) MUST FULLY ENGAGE BUSHING

WITH FAN OPERATING AT 12000 FT/MINUTE BLADE TIP SPEED		
PERCENT BLADE LOADING		
	100%	
DIA	T2	L
36"	1.4"	3.3"
42"	0.9"	3.4"
48"	0.1"	3.8"
54"	-0.9"	4.8"
60"	-2.1"	5.5"

NOTES:
ALL MEASUREMENTS ASSUME HIGHEST BLADE LOADING ANGLE (50°)

T2= FAN CENTER LINE TO TRAILING EDGE AT TIP
 F = CENTERLINE OF FAN TO BASE OF BUSHING (STANDARD HUB)
 G = OVERALL BUSHING LENGTH
 L = FAN CENTER LINE TO LEADING EDGE AT TIP
 # = WITH S.A.E. STANDARD SQUARE KEYWAY
 * = WITH SHALLOW KEYWAY IN BUSHING

MAX BLADES	BUSHING TYPE	MAX # BORE	MAX * BORE	F	G
8	T	2.000"	2.188"	1.3"	1.9"
8	U	2.750"	2.938"	4.9"	2.7"