

- A = BLADE TIP THICKNESS @ 19° BLADE ANGLE
- B = RUNNING POSITION OF BLADES
- C = MAXIMUM DROOP POSITION OF BLADES
- D = MINIMUM OBSTACLE CLEARANCE AT INLET
- F = CENTERLINE OF FAN TO BASE OF BUSHING
- G = BUSHING OVERALL HEIGHT
- H = MINIMUM OBSTACLE CLEARANCE AT OUTLET
- I = NOMINAL MECHANICAL HUB DIAMETER
- L = MAX . BUSHING TORQUE FT. LBS.
- # = WITH S.A.E. STANDARD SQUARE KEYWAY
- \* = WITH SHALLOW KEYWAY IN BUSHING
- ° = MAX METRIC BORE WITH STANDARD KEYWAY

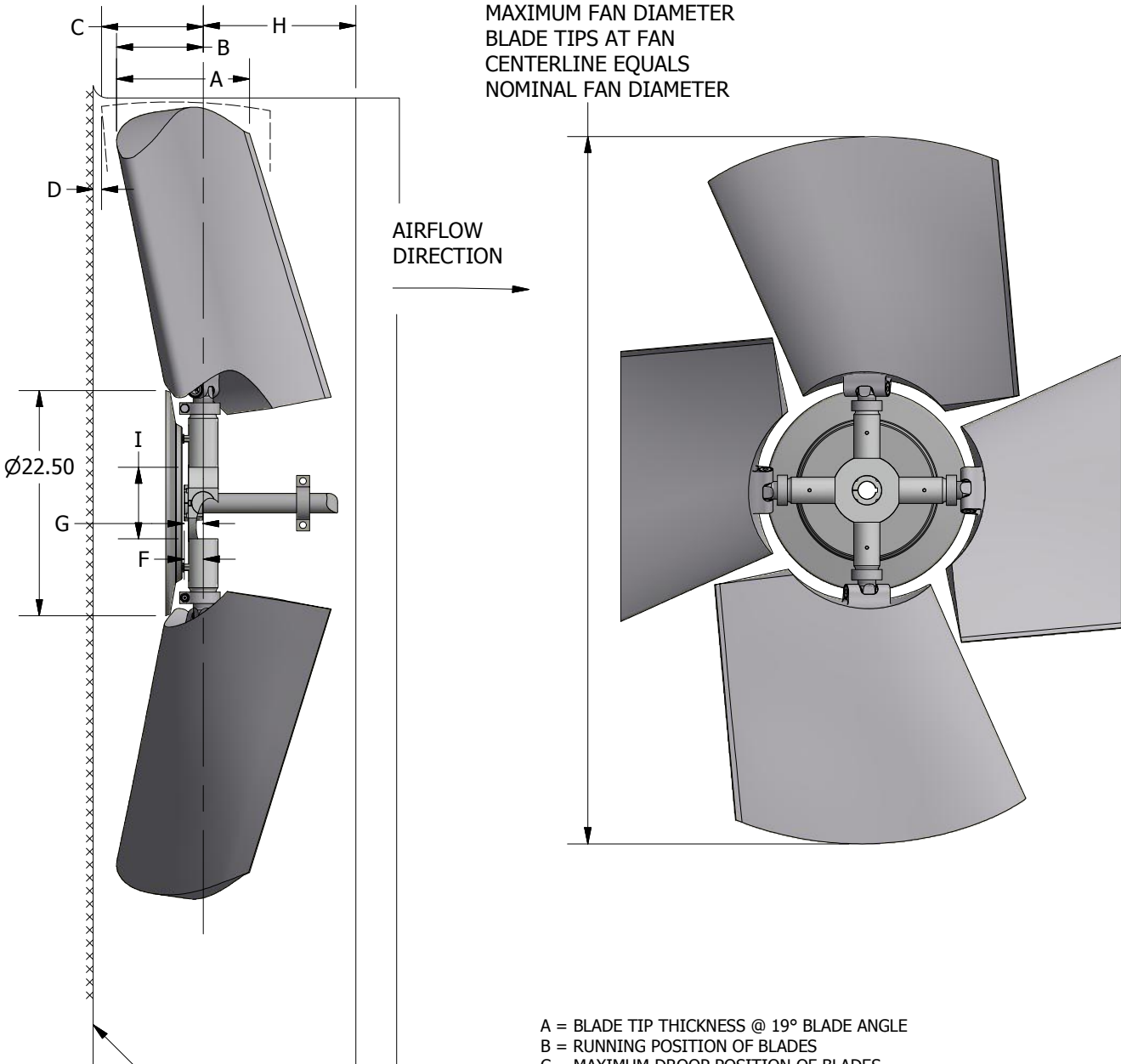
WITH FAN OPERATING AT 12000 FT:MINUTE BLADE TIP SPEED PERCENT BLADE LOADING

DIA	A	PERCENT BLADE LOADING		C	D	H
		100%	75%			
8.0'	13.9"	13.9"	13.4"	15.9"	6.0"	15.4"

NUMBER OF BLADES	BUSHING TYPE	MAX # BORE	MAX * BORE	MAX ° BORE	I	F	G	L
3,4,5	U	2.75"	2.938"	75	12"	2.9"	2.7"	4000



## SERIES 36 HD MAG LEFT HAND ROTATION



- A = BLADE TIP THICKNESS @ 19° BLADE ANGLE
- B = RUNNING POSITION OF BLADES
- C = MAXIMUM DROOP POSITION OF BLADES
- D = MINIMUM OBSTACLE CLEARANCE AT INLET
- F = CENTERLINE OF FAN TO BASE OF BUSHING
- G = BUSHING OVERALL HEIGHT
- H = MINIMUM OBSTACLE CLEARANCE AT OUTLET
- I = NOMINAL MECHANICAL HUB DIAMETER
- L = MAX . BUSHING TORQUE FT. LBS.
- # = WITH S.A.E. STANDARD SQUARE KEYWAY
- \* = WITH SHALLOW KEYWAY IN BUSHING
- ° = MAX METRIC BORE WITH STANDARD KEYWAY

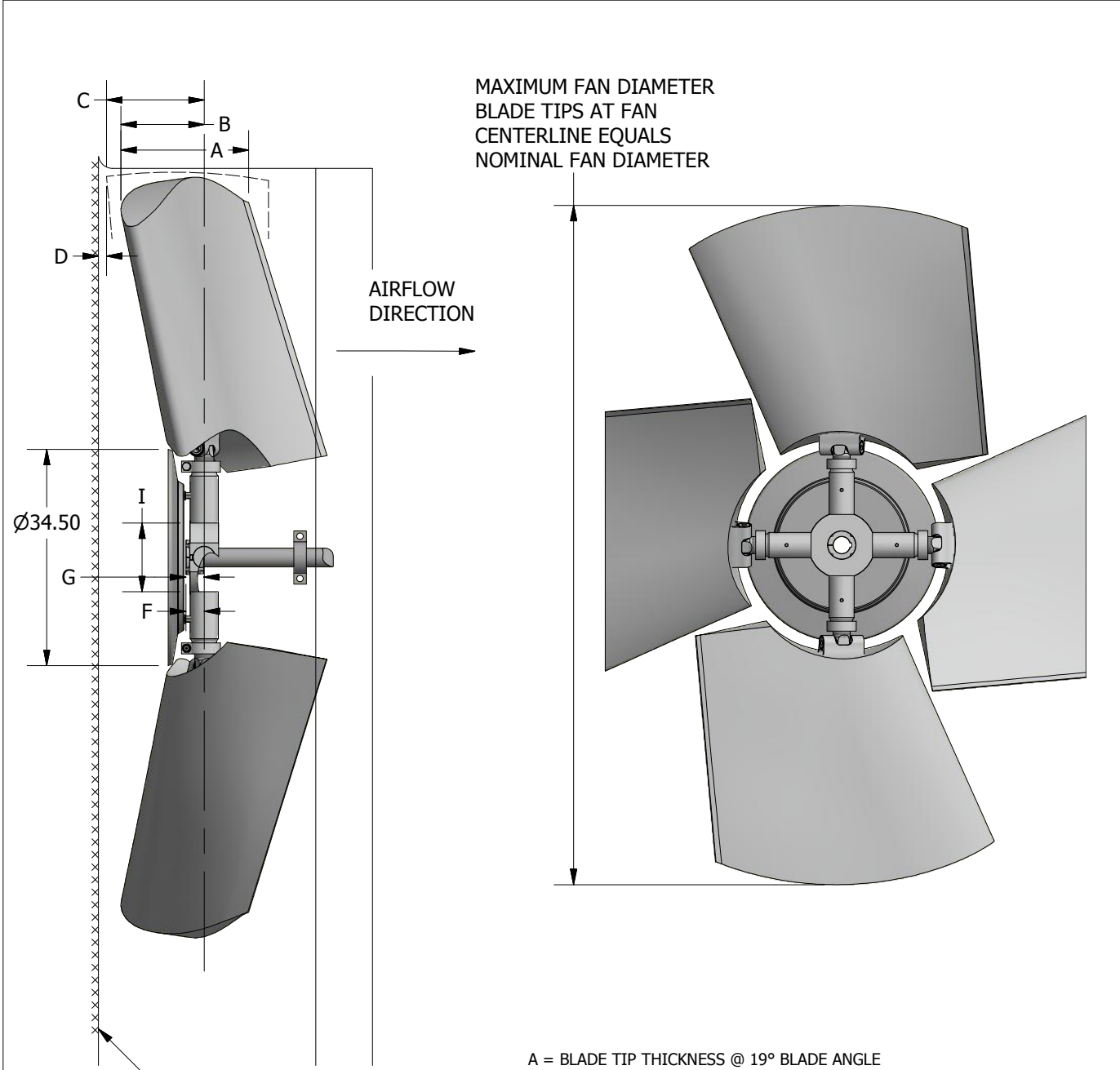
WITH FAN OPERATING  
AT 12000 FT:MINUTE  
BLADE TIP SPEED  
PERCENT BLADE  
LOADING

DIA	A	100% 75%		C	D	H
		B	B			
9.0'	21.5"	14.0"	13.0"	16.0"	6"	23.1"

NUMBER OF BLADES	BUSHING TYPE	MAX # BORE	MAX * BORE	MAX ° BORE	I	F	G	L



## SERIES 24 HD MAG LEFT HAND ROTATION



- A = BLADE TIP THICKNESS @ 19° BLADE ANGLE
- B = RUNNING POSITION OF BLADES
- C = MAXIMUM DROOP POSITION OF BLADES
- D = MINIMUM OBSTACLE CLEARANCE AT INLET
- F = CENTERLINE OF FAN TO BASE OF BUSHING
- G = BUSHING OVERALL HEIGHT
- H = MINIMUM OBSTACLE CLEARANCE AT OUTLET
- I = NOMINAL MECHANICAL HUB DIAMETER
- L = MAX . BUSHING TORQUE FT. LBS.
- # = WITH S.A.E. STANDARD SQUARE KEYWAY
- \* = WITH SHALLOW KEYWAY IN BUSHING
- ° = MAX METRIC BORE WITH STANDARD KEYWAY

WITH FAN OPERATING  
AT 12000 FT:MINUTE  
BLADE TIP SPEED  
PERCENT BLADE  
LOADING

DIA	A	100% 75%		C	D	H
		B	B			
10'	21.9"	13.0"	12.0"	14.0"	6"	23.1"
11'	21.9"	14.0"	13.0"	16.0"	6"	23.1"

NUMBER OF BLADES	BUSHING TYPE	MAX	MAX	MAX	I	F	G	L
		# BORE	* BORE	° BORE				
3,4,5	W	3.75"	4.00"	100	12"	2.9"	2.8"	7300



## SERIES 36 HD MAG LEFT HAND ROTATION