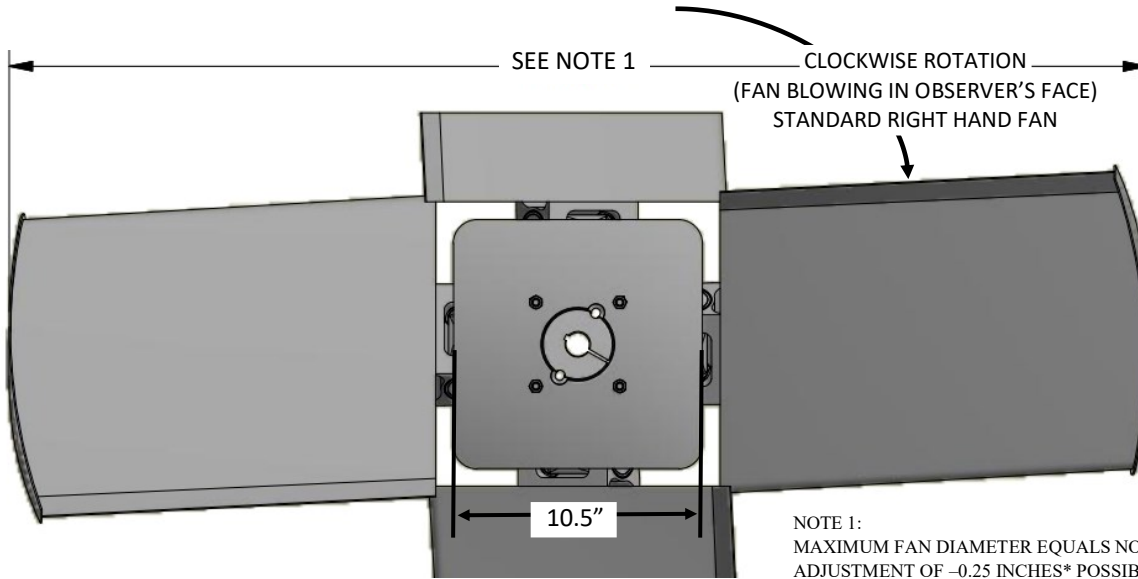
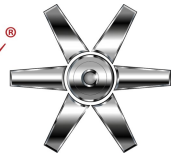
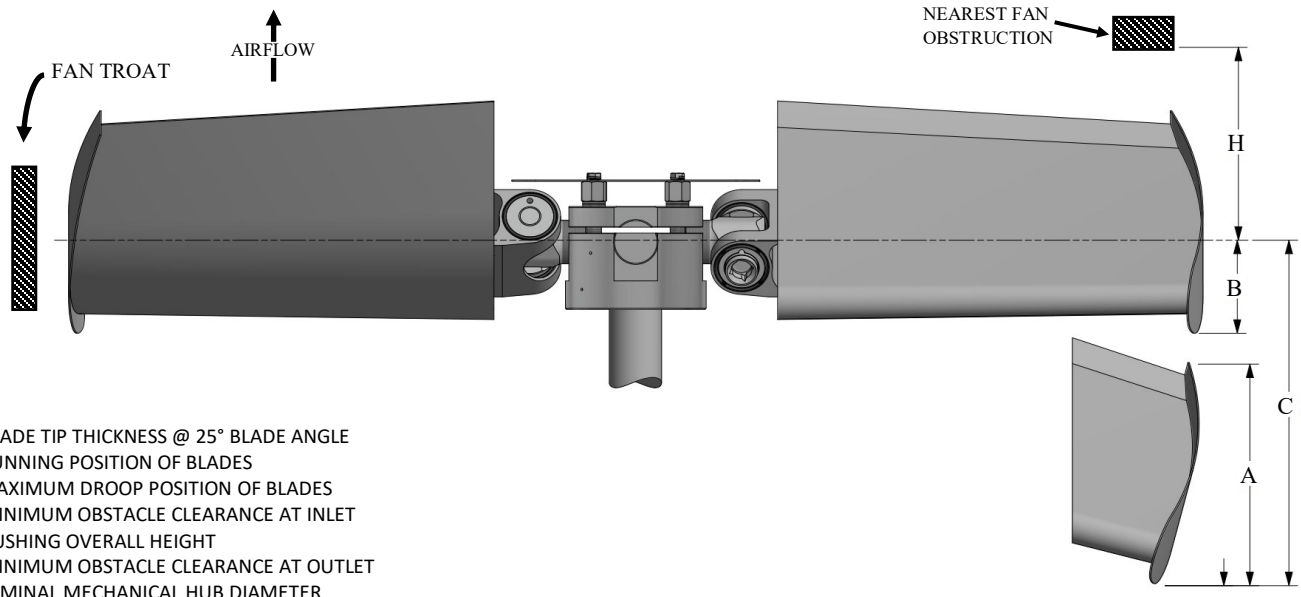


CLASS 10000 HD SERIES 12 SC

STANDARD HUB, RH ROTATION

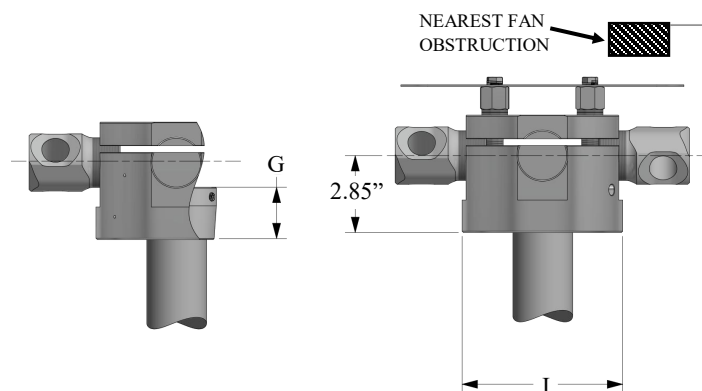


NOTE 1:
MAXIMUM FAN DIAMETER EQUALS NOMINAL FAN DIAMETER.
ADJUSTMENT OF -0.25 INCHES* POSSIBLE AT INSTALLATION
*BLADES WITH ATEX TIPS HAVE NO INWARD ADJUSTMENT



- A = BLADE TIP THICKNESS @ 25° BLADE ANGLE
- B = RUNNING POSITION OF BLADES
- C = MAXIMUM DROOP POSITION OF BLADES
- D = MINIMUM OBSTACLE CLEARANCE AT INLET
- G = BUSHING OVERALL HEIGHT
- H = MINIMUM OBSTACLE CLEARANCE AT OUTLET
- I = NOMINAL MECHANICAL HUB DIAMETER
- L = MAXIMUM BUSHING TORQUE FT. LBS.
- # = WITH S.A.E. STANDARD SQUARE KEYWAY
- * = WITH SHALLOW KEYWAY IN BUSHING
- o = MAX METRIC BORE WITH STANDARD KEYWAY

BUSHING AND/OR AIR SEAL
CAN BE INSTALLED ON INLET
OR OUTLET SIDE OF FAN



WITH FAN OPERATING AT
12000 FT/MINUTE BLADE TIP SPEED

DIA	PERCENT BLADE LOADING		C	D	H	
	B					
	100%	75%				
3'	8.6"	3.5"	3.5"	5.5"	2.0"	7.0"
4'	8.2"	3.9"	3.9"	5.9"	2.0"	7.0"
5'	7.8"	4.3"	4.3"	6.3"	2.0"	7.0"
6'	7.4"	4.8"	4.8"	6.8"	2.0"	7.0"

MAX BLADES	BUSHING TYPE	MAX # BORE	MAX * BORE	MAX o BORE	I	G	L
5	T	2.000"	2.188"	55	6"	1.9"	2000