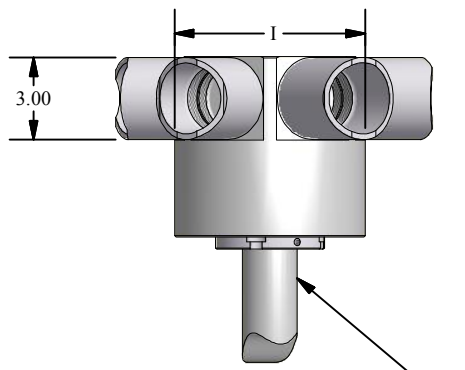
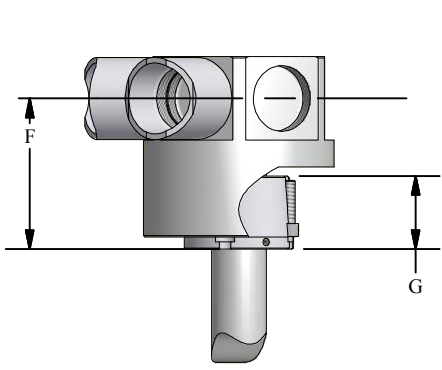
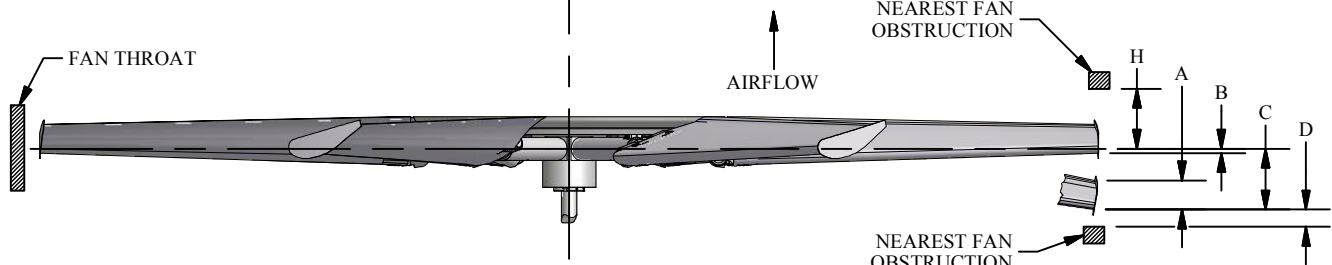


NOTE 1:
MAXIMUM FAN DIAMETER (BLADES HORIZONTAL - AS SHIPPED) EQUALS NOMINAL FAN DIAMETER. ADJUSTMENT OF ±1.5 INCHES POSSIBLE AT INSTALLATION



BUSHING CAN BE INSTALLED ON INLET OR OUTLET SIDE OF FAN

- A = BLADE TIP THICKNESS @ 19° BLADE ANGLE
- B = RUNNING POSITION OF BLADES
- C = MAXIMUM DROOP POSITION OF BLADES
- D = MINIMUM OBSTACLE CLEARANCE AT INLET
- F = CENTERLINE OF FAN TO BASE OF BUSHING
- G = BUSHING OVERALL HEIGHT
- H = MINIMUM OBSTACLE CLEARANCE AT OUTLET
- I = NOMINAL MECHANICAL HUB DIAMETER
- L = MAX . BUSHING TORQUE FT. LBS.
- # = WITH S.A.E. STANDARD SQUARE KEYWAY
- * = WITH SHALLOW KEYWAY IN BUSHING
- ° = MAX METRIC BORE WITH STANDARD KEYWAY

SHAFT (BY OTHERS) MUST FULLY ENGAGE BUSHING

WITH FAN OPERATING AT 12000 FT: MINUTE BLADE TIP SPEED PERCENT BLADE LOADING

DIA	PERCENT BLADE LOADING		C	D	H	
	100%	75%				
7'	4.4"	1.7"	1.5"	3.7"	2.0"	7.0"
8'	4.0"	2.2"	1.8"	4.2"	2.0"	7.0"
9'	3.6"	2.7"	2.2"	4.7"	2.0"	7.0"
10'	3.2"	3.3"	2.6"	5.3"	2.0"	7.0"
11'	2.8"	4.0"	3.1"	6.0"	2.0"	7.0"
12'	2.4"	4.8"	3.7"	6.8"	2.0"	7.0"
13'	2.0"	5.7"	4.3"	7.7"	2.0"	7.0"
14'	1.7"	6.7"	5.1"	8.7"	2.0"	7.0"

MAX BLADES	BUSHING TYPE	MAX # BORE	MAX * BORE	MAX ° BORE	I	F	G	L
6	U	2.750"	2.938"	75	7"	8.0" OR 12"	2.7"	4000
8	U	2.750"	2.938"	75	9"	8.0" OR 12"	2.7"	4000
8	W	3.750"	4.000"	100	9"	8.0" OR 12"	2.8"	7300
8	X	3.750"	4.000"	100	9"	8.0" OR 12"	4.0"	9800



SERIES 42 EXTENDED HUB HD FAN RIGHT HAND ROTATION