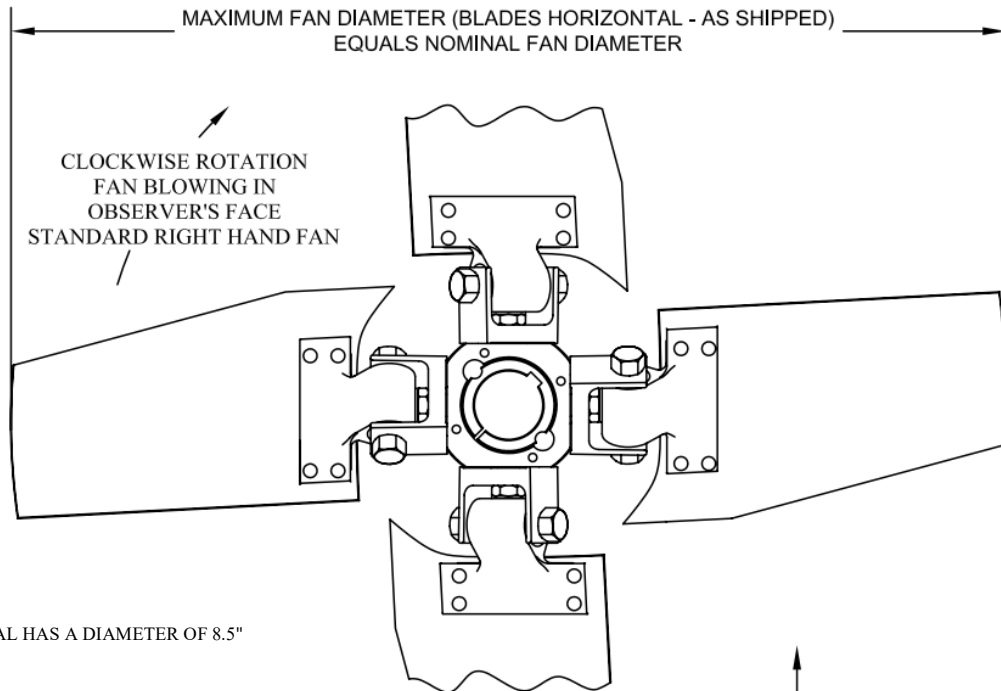
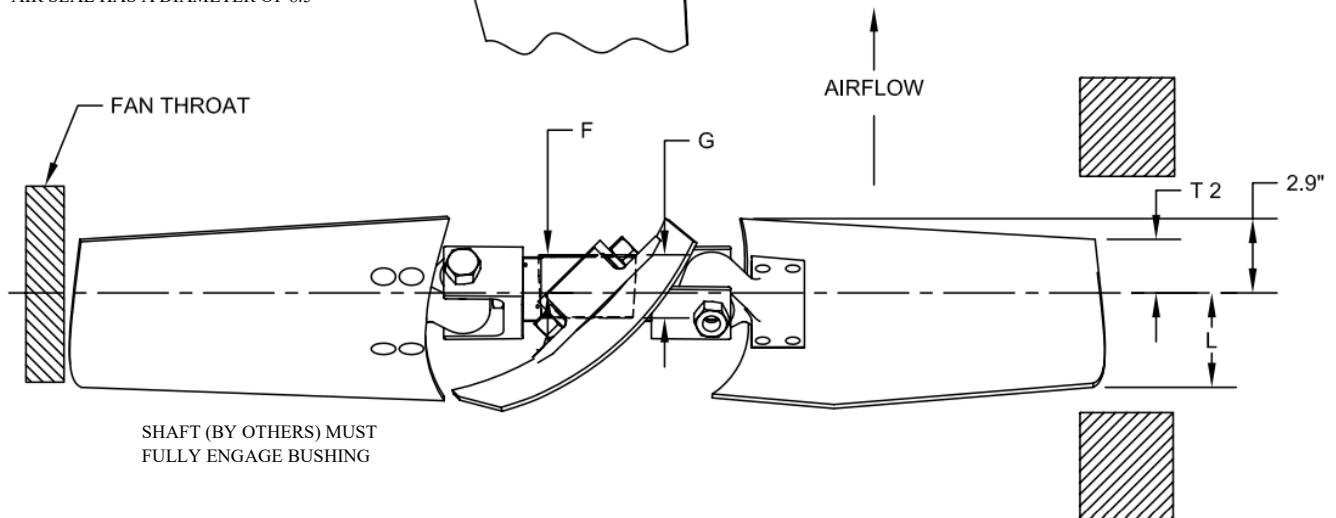


CLASS 1000 SERIES 10

RH ROTATION



AIR SEAL HAS A DIAMETER OF 8.5"



SHAFT (BY OTHERS) MUST FULLY ENGAGE BUSHING

NOTES:
ALL MEASUREMENTS ASSUME HIGHEST BLADE LOADING ANGLE (50°)

FAN SHOWN WITHOUT AIRSEAL FOR CLARITY

T2= FAN CENTER LINE TO TRAILING EDGE AT TIP
F = CENTERLINE OF FAN TO BASE OF BUSHING (STANDARD HUB)
G = OVERALL BUSHING LENGTH
L = FAN CENTER LINE TO LEADING EDGE AT TIP
= WITH S.A.E. STANDARD SQUARE KEYWAY
* = WITH SHALLOW KEYWAY IN BUSHING

WITH FAN OPERATING AT 12000 FT/MINUTE BLADE TIP SPEED		
PERCENT BLADE LOADING		

	100%	
DIA	T2	L
24"	2.6"	3.0"
30"	1.9"	3.2"
32"	1.7"	3.2"
36"	1.4"	3.3"
42"	0.9"	3.4"
48"	0.1"	3.8"

MAX BLADES	BUSHING TYPE	MAX # BORE	MAX * BORE	F	G
4	T	2.000"	2.188"	1.3"	1.9"