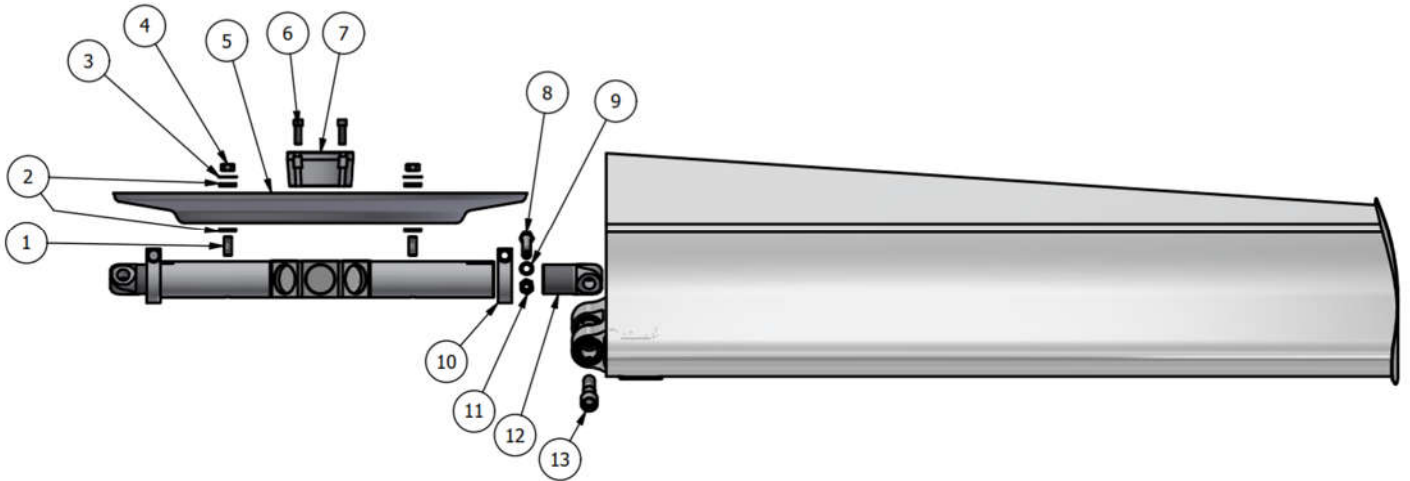




CLASS 10000 XC

PARTS LIST



ITEM	PART NUMBER	DESCRIPTION
1	3033	16MM AIRSEAL STUD
2	52	RESILIENT WASHER
3	151	ALUMINUM FLAT WASHER
4	169	M16 ALUMINUM NUT
5		AIR SEAL
6	4153 4154 4159	BUCHING CAP SCREW 12MM HEX FOR U BUSHING(4) 16MM HEX FOR W BUSHING(4) 16MM HEX FOR Z BUSHING(8)
7		BUSHING U(4") W(5.5") Z(7")
8	20139	8MM CLAMP BOLT
9	8265	8MM SS WASHER
10	1	ROD END CLAMP
11	8166	8MM CLAMP NUT
12	2883	CLASS 10,000 HD ROD END
13	2886	BLADE BOLT