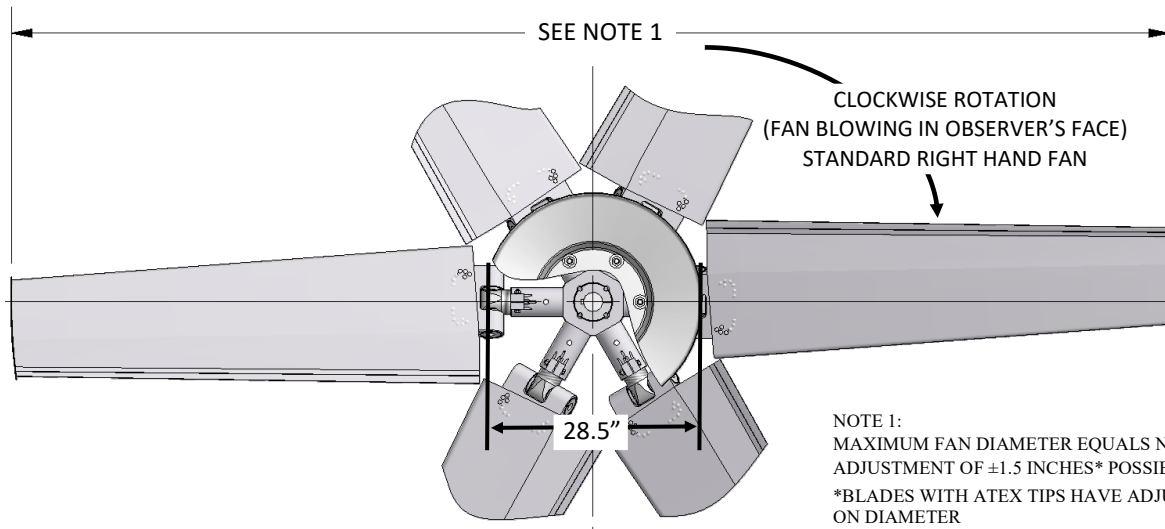
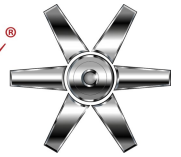


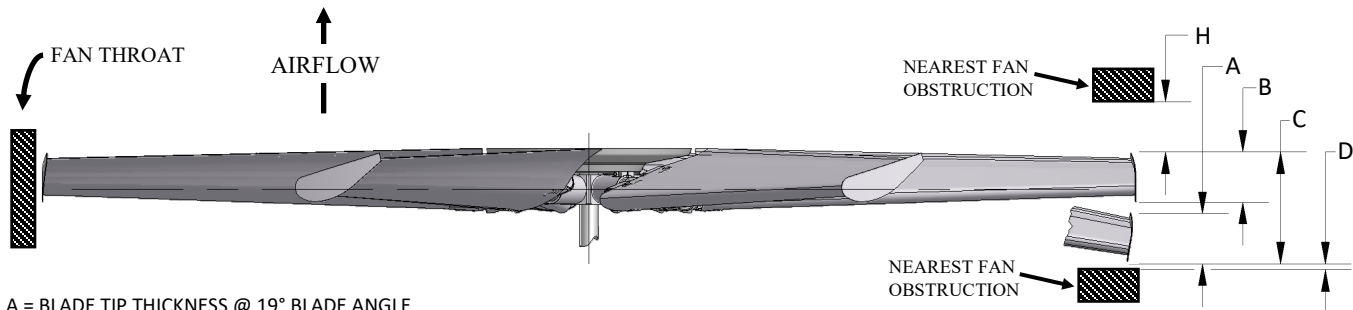
CLASS 10000 HD SERIES 30 SC

STANDARD HUB, RH ROTATION

Moore
FANS

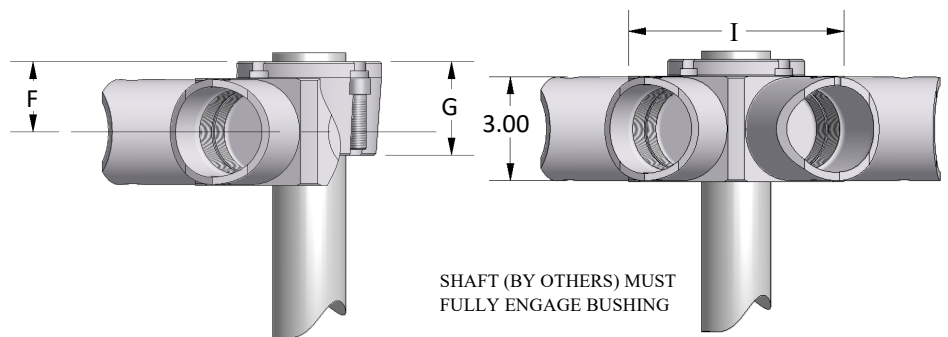


NOTE 1:
MAXIMUM FAN DIAMETER EQUALS NOMINAL FAN DIAMETER.
ADJUSTMENT OF ±1.5 INCHES* POSSIBLE AT INSTALLATION
*BLADES WITH ATEX TIPS HAVE ADJUSTMENT OF -1.0" & +2.0"
ON DIAMETER



- A = BLADE TIP THICKNESS @ 19° BLADE ANGLE
- B = RUNNING POSITION OF BLADES
- C = MAXIMUM DROOP POSITION OF BLADES
- D = MINIMUM OBSTACLE CLEARANCE AT INLET
- F = CENTERLINE OF FAN TO BASE OF BUSHING
- G = BUSHING OVERALL HEIGHT
- H = MINIMUM OBSTACLE CLEARANCE AT OUTLET
- I = NOMINAL MECHANICAL HUB DIAMETER
- L = MAXIMUM BUSHING TORQUE FT. LBS.
- # = WITH S.A.E. STANDARD SQUARE KEYWAY
- * = WITH SHALLOW KEYWAY IN BUSHING
- o = MAX METRIC BORE WITH STANDARD KEYWAY

BUSHING AND/OR AIR SEAL
CAN BE INSTALLED ON INLET
OR OUTLET SIDE OF FAN



WITH FAN OPERATING AT
12000 FT/MINUTE BLADE TIP SPEED

DIA	A	PERCENT BLADE LOADING		C	D	H
		B				
		100%	75%			
5'	4.8"	1.4"	1.0"	3.4"	2.0"	7.0"
6'	4.4"	1.7"	1.2"	3.7"	2.0"	7.0"
7'	4.0"	2.0"	1.5"	4.0"	2.0"	7.0"
8'	3.6"	2.4"	1.8"	4.4"	2.0"	7.0"
9'	3.2"	2.8"	2.1"	4.8"	2.0"	7.0"
10'	2.8"	3.2"	2.4"	5.2"	2.0"	7.0"

MAX BLADES	BUSHING TYPE	MAX # BORE	MAX * BORE	MAX o BORE	I	F	G	L
6	U	2.750"	2.938"	75	7"	2.0"	2.7"	4000
8	U	2.750"	2.938"	75	9"	2.0"	2.7"	4000
10	U	2.750"	2.938"	75	12"	2.0"	2.7"	4000
8	W	3.750"	4.000"	100	9"	2.2"	2.8"	7300
10	W	3.750"	4.000"	100	12"	2.2"	2.8"	7300