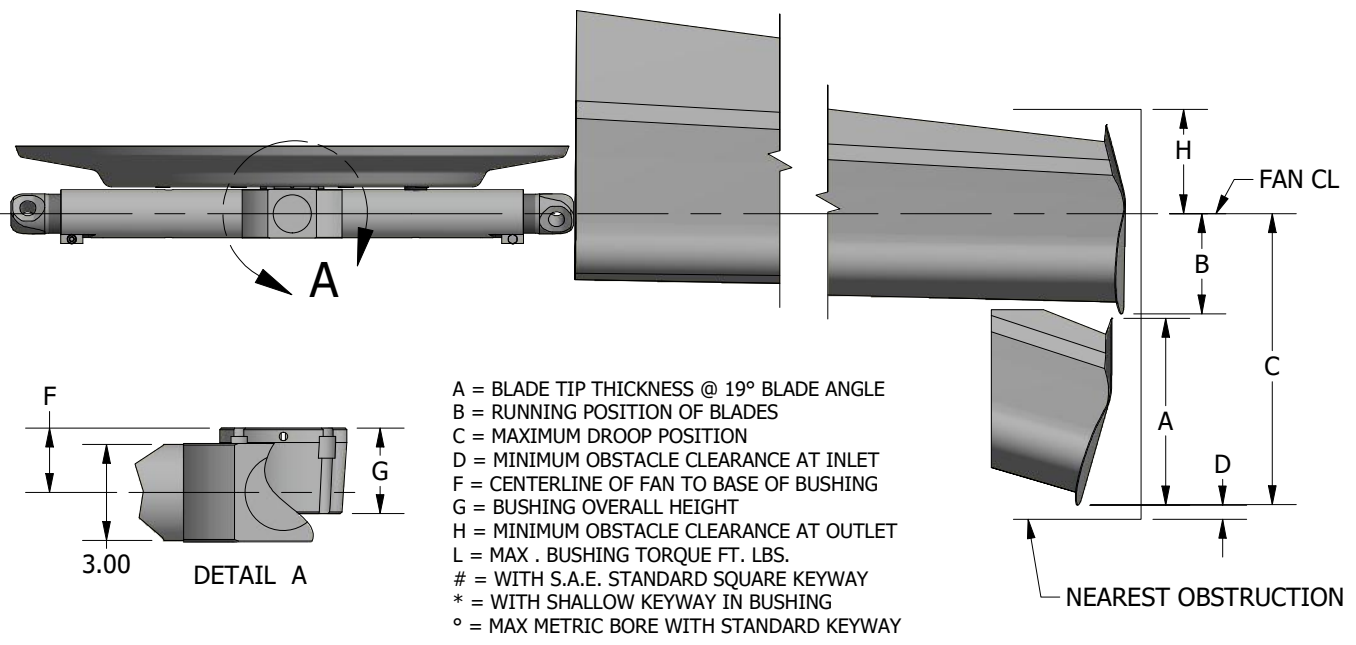


BLADES ARE NOT TO SCALE

NOTE 1:
 MAXIMUM FAN DIAMETER (BLADES HORIZONTAL - AS SHIPPED) EQUALS NOMINAL FAN DIAMETER. ADJUSTMENT OF ±1.5 INCHES* POSSIBLE AT INSTALLATION



DIA	BLADE LOAD					
	A	B	B	C	D	H
10'	14.9"	6.7"	6.1"	7.7"	4.0"	16"
11'	14.2"	7.4"	6.6"	8.8"	4.0"	16"
12'	13.5"	8.2"	7.3"	10.2"	4.0"	16"
13'	12.9"	9.2"	8.0"	11.8"	4.0"	16"
14'	12.2"	10.3"	8.8"	13.5"	4.0"	16"
15'	11.5"	11.6"	9.7"	15.4"	4.0"	16"
16'	10.8"	12.8"	10.5"	17.3"	4.0"	16"

MAX BLADES	BUSHING TYPE	F	G	L	MAX * BORE	MAX # BORE	MAX ° BORE
10	U	2.0"	2.7"	4000	2.938"	2.750"	75
10	W	2.2"	2.8"	7300	4.000"	3.750"	100



SERIES 60 HD FAN XC RIGHT HAND ROTATION