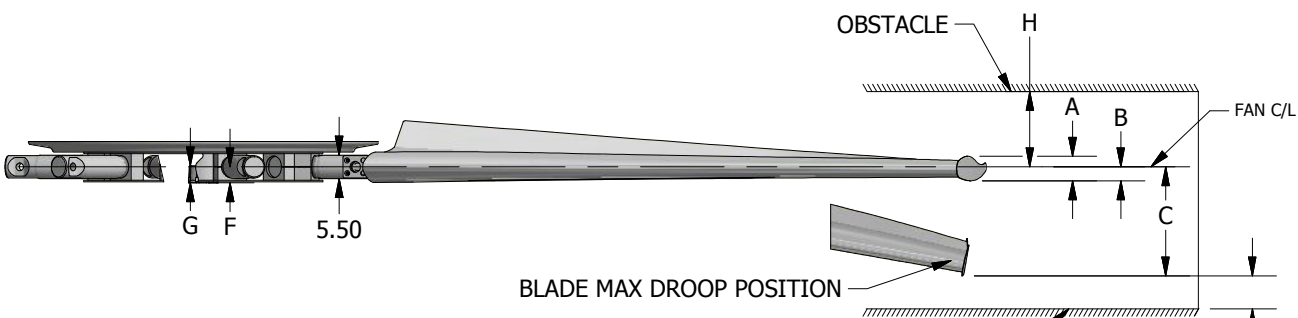


NOTE 1:  
 MAXIMUM FAN DIAMETER (BLADES HORIZONTAL - AS SHIPPED) EQUALS NOMINAL FAN DIAMETER. ADJUSTMENT OF ±1.5 INCHES POSSIBLE AT INSTALLATION.



A = BLADE TIP THICKNESS @ 8° BLADE TIP ANGLE  
 B = RUNNING POSITION OF BLADES  
 C = MAXIMUM DROOP POSITION OF BLADES  
 D = MINIMUM OBSTACLE CLEARANCE AT INLET  
 H = MINIMUM OBSTACLE CLEARANCE AT OUTLET

DIA	BLADE ANGLE 8°	PERCENT BLADE LOADING		C	D	H
		100%	75%			
26.0'	7.5"	2.6"	2.0"	3.7"	15.0"	20.0"
27.0'	7.5"	3.2"	2.4"	4.6"	15.0"	20.0"
28.0'	7.5"	3.8"	2.9"	5.6"	15.0"	20.0"
29.0'	7.5"	4.6"	3.5"	6.7"	15.0"	20.0"
30.0'	7.5"	5.4"	4.2"	8.0"	15.0"	20.0"
31.0'	7.5"	6.4"	4.9"	9.4"	15.0"	20.0"
32.0'	7.5"	7.5"	5.7"	11.0"	15.0"	20.0"
33.0'	7.5"	8.7"	6.7"	12.8"	15.0"	20.0"
34.0'	7.5"	9.2"	7.0"	13.5"	15.0"	20.0"

F = CENTERLINE OF FAN TO BASE OF BUSHING  
 G = BUSHING OVERALL HEIGHT  
 L = MAX. BUSHING TORQUE FT. LBS.  
 # = WITH S.A.E. STANDARD SQUARE KEYWAY  
 \* = WITH SHALLOW KEYWAY IN BUSHING  
 ° = MAX. METRIC BORE WITH STANDARD KEYWAY

BUSHING TYPE	MAX BLADES	MAX # BORE	MAX * BORE	MAX ° BORE	F	G	L
Z	12	5.000"	5.500"	140	3.7"	4.0"	18000



## SERIES 96 STANDARD HUB HD FAN RIGHT HAND ROTATION