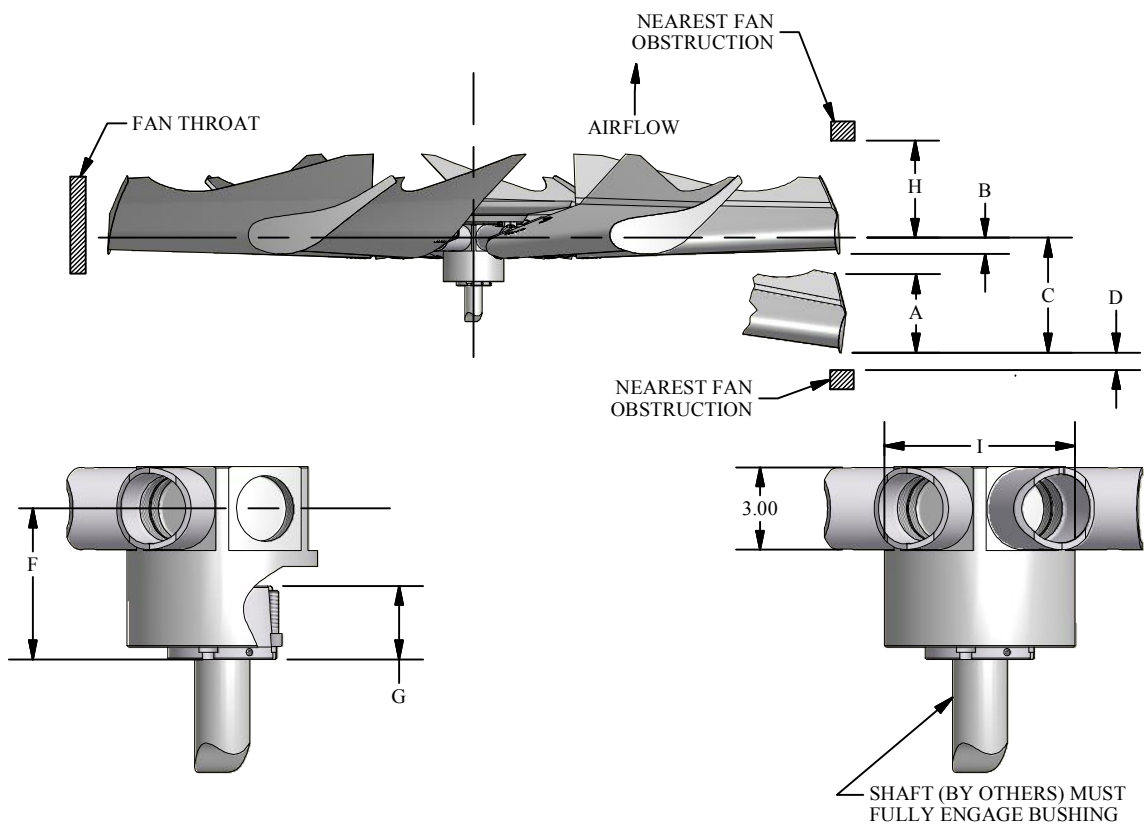


CLOCKWISE ROTATION
(FAN BLOWING IN OBSERVER'S FACE)
STANDARD RIGHT HAND FAN

NOTE 1:
MAXIMUM FAN DIAMETER (BLADES
HORIZONTAL - AS SHIPPED) EQUALS
NOMINAL FAN DIAMETER. ADJUSTMENT
OF ±1.5 INCHES POSSIBLE AT
INSTALLATION



BUSHING CAN BE INSTALLED ON
INLET OR OUTLET SIDE OF FAN

- A = BLADE TIP THICKNESS @ 19° BLADE ANGLE
- B = RUNNING POSITION OF BLADES
- C = MAXIMUM DROOP POSITION OF BLADES
- D = MINIMUM OBSTACLE CLEARANCE AT INLET
- F = CENTERLINE OF FAN TO BASE OF BUSHING
- G = BUSHING OVERALL HEIGHT
- H = MINIMUM OBSTACLE CLEARANCE AT OUTLET
- I = NOMINAL MECHANICAL HUB DIAMETER
- L = MAX. BUSHING TORQUE FT. LBS.
- # = WITH S.A.E. STANDARD SQUARE KEYWAY
- * = WITH SHALLOW KEYWAY IN BUSHING
- ° = MAX METRIC BORE WITH STANDARD KEYWAY

WITH FAN OPERATING
AT 12000 FT: MINUTE
BLADE TIP SPEED

PERCENT BLADE LOADING	
100%	75%
7.5"	5.1"
4.5"	5.1"
4.4"	6.4"
4.8"	2.0"
5.5"	2.0"
7.5"	14.0"
5.1"	14.0"
5.6"	14.0"

DIA	A	B	C	D	H	
5'	7.5"	4.5"	4.4"	4.8"	2.0"	14.0"
6'	7.5"	4.9"	4.7"	5.5"	2.0"	14.0"
7'	7.5"	5.1"	5.1"	6.4"	2.0"	14.0"
8'	7.5"	5.6"	5.6"	7.5"	2.0"	14.0"

MAX BLADES	BUSHING TYPE	MAX # BORE	MAX * BORE	MAX ° BORE	I	F	G	L
6	U	2.750"	2.938"	75	7"	5.5", 8.0" OR 12"	2.7"	4000



SERIES 24 EXTENDED CHORD EXTENDED HUB HD FAN - RIGHT HAND ROTATION