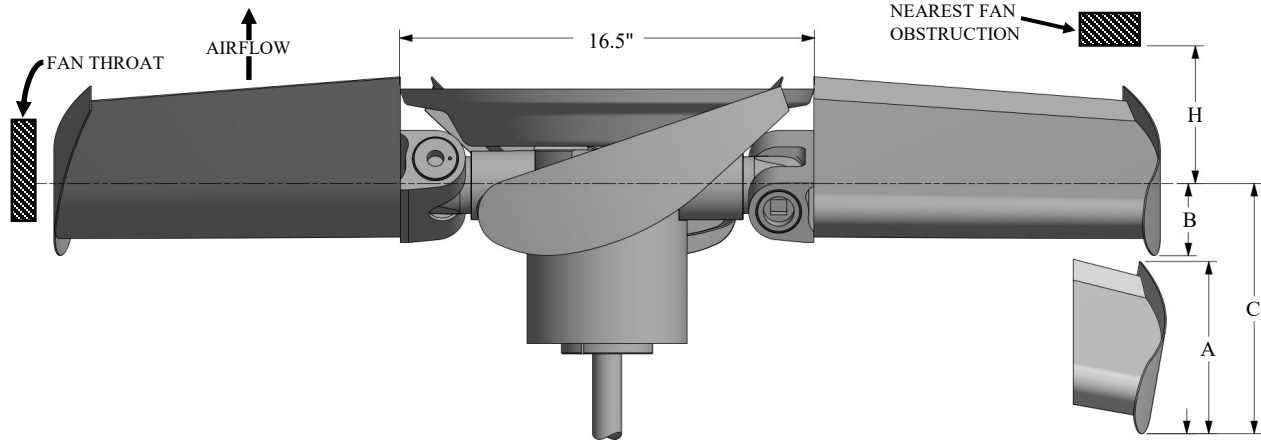
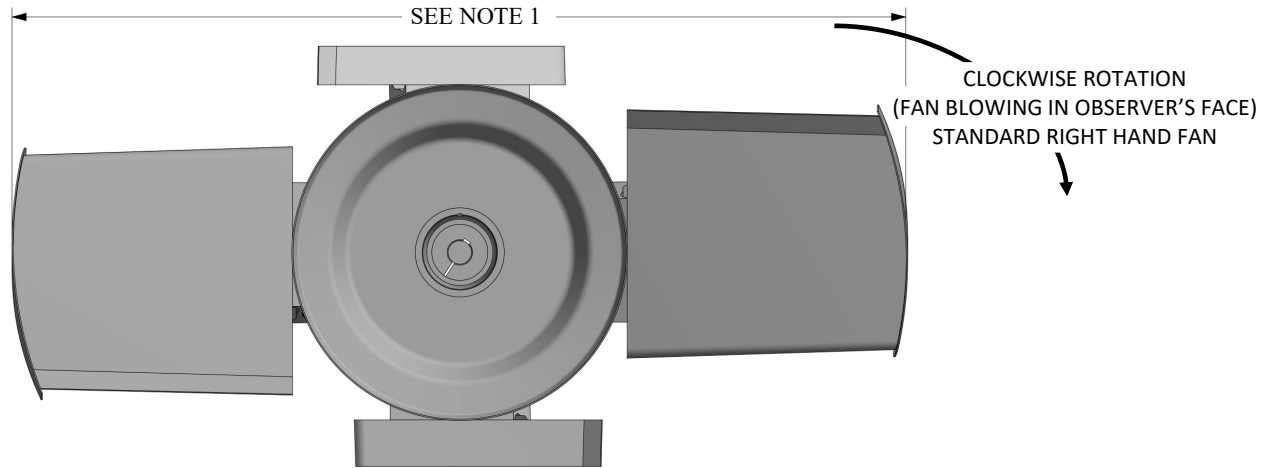
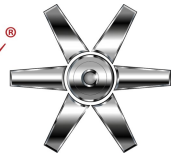


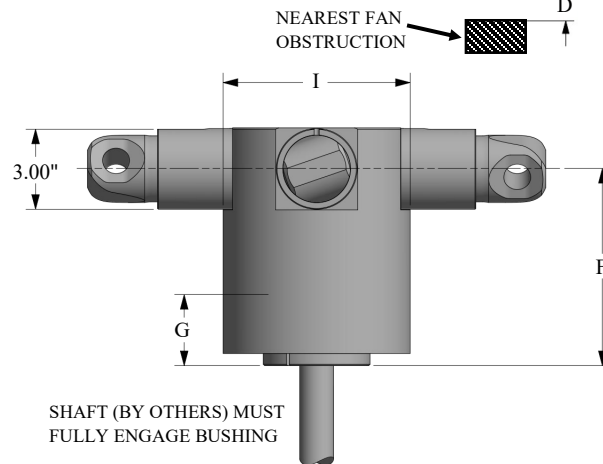
# CLASS 10000 HD SERIES 18 SC

## EXTENDED HUB, RH ROTATION

**Moore**  
FANS



- A = BLADE TIP THICKNESS @ 19° BLADE ANGLE
- B = RUNNING POSITION OF BLADES
- C = MAXIMUM DROOP POSITION OF BLADES
- D = MINIMUM OBSTACLE CLEARANCE AT INLET
- F = CENTERLINE OF FAN TO BASE OF BUSHING
- G = BUSHING OVERALL HEIGHT
- H = MINIMUM OBSTACLE CLEARANCE AT OUTLET
- I = NOMINAL MECHANICAL HUB DIAMETER
- L = MAXIMUM BUSHING TORQUE FT. LBS.
- # = WITH S.A.E. STANDARD SQUARE KEYWAY
- \* = WITH SHALLOW KEYWAY IN BUSHING
- o = MAX METRIC BORE WITH STANDARD KEYWAY



SHAFT (BY OTHERS) MUST FULLY ENGAGE BUSHING

**WITH FAN OPERATING AT  
12000 FT/MINUTE BLADE TIP SPEED**

DIA	PERCENT BLADE LOADING		C	D	H	
	100%	75%				
	B					
3'	5.2"	1.1"	0.8"	3.1"	2.0"	7.0"
4'	4.8"	1.4"	1.0"	3.4"	2.0"	7.0"
5'	4.4"	1.7"	1.3"	3.7"	2.0"	7.0"
6'	4.0"	2.0"	1.5"	4.0"	2.0"	7.0"

NOTE 1:  
MAXIMUM FAN DIAMETER EQUALS NOMINAL FAN DIAMETER.  
ADJUSTMENT OF -0.5 INCHES ON DIAMETER POSSIBLE AT INSTALATION.

FANS WITH ATEX TIPS HAVE NO ADJUSTMENT ON DIAMETER.

MAX BLADES	BUSHING TYPE	MAX # BORE	MAX * BORE	MAX o BORE	I	F	G	L
6	U	2.750"	2.938"	75	7"	5.5", 8.0", 12"	2.7"	4000