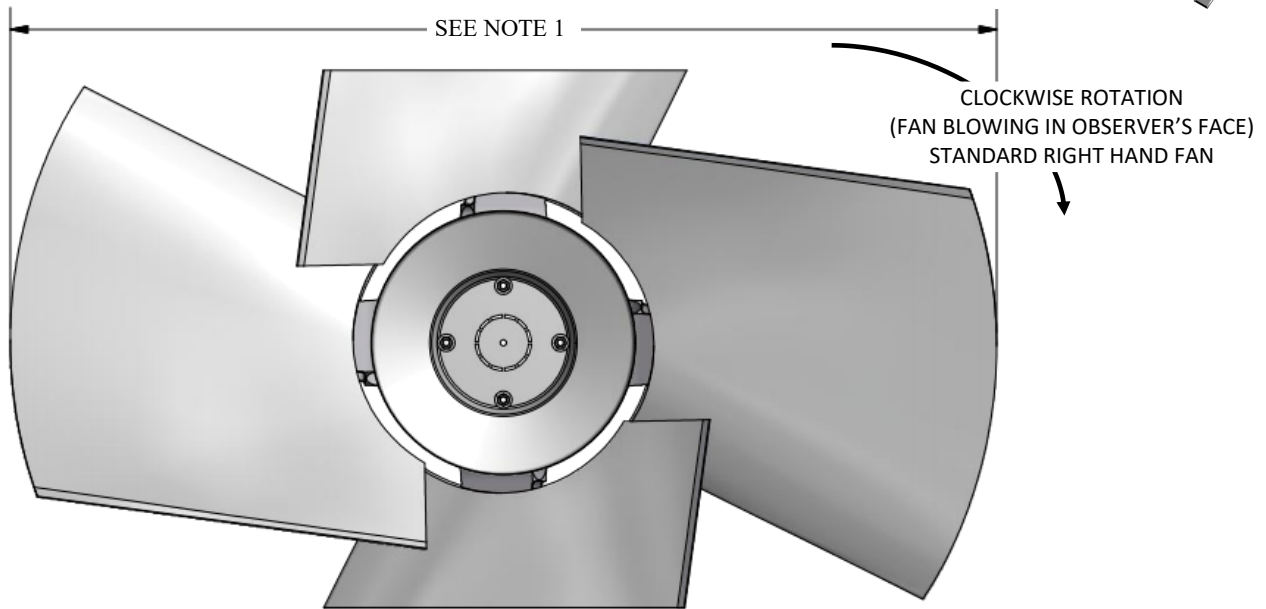
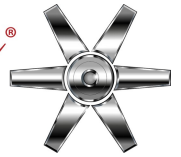


# CLASS 10000 MAG SERIES 24

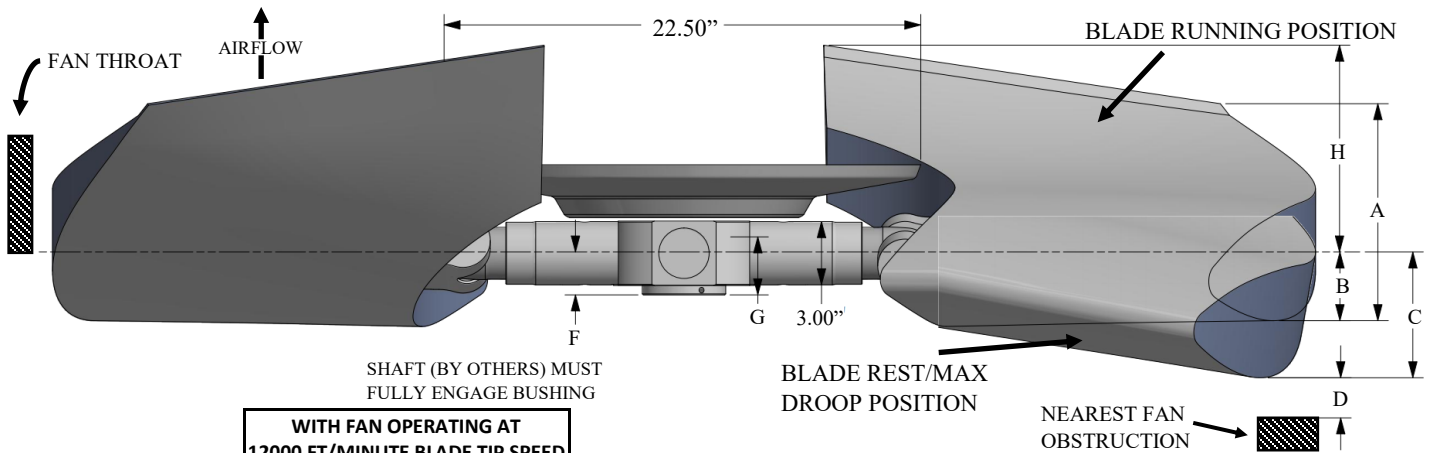
RH ROTATION

**Moore**  
FANS



NOTE 1:  
MAXIMUM FAN DIAMETER EQUALS NOMINAL FAN DIAMETER.  
ADJUSTMENT OF ±1.5 INCHES POSSIBLE AT INSTALLATION

- A = BLADE TIP PROFILE HEIGHT (PATH WIDTH)
- B = BLADE RUNNING DROOP (C/L TO BOTTOM OF BLADE)
- C = MAXIMUM DROOP POSITION OF BLADES AT 30° (C/L TO BOTTOM OF BLADE)
- D = MINIMUM OBSTACLE CLEARANCE AT INLET SIDE
- F = CENTERLINE OF FAN TO BASE OF BUSHING (STANDARD HUB WITHOUT EXTENSION)
- G = BUSHING OVERALL HEIGHT
- H = MAXIMUM HEIGHT OF BLADE AT 30° (C/L TO AIR OUTLET SIDE)
- L = MAX . BUSHING TORQUE FT. LBS.
- # = WITH S.A.E. STANDARD SQUARE KEYWAY
- \* = WITH SHALLOW KEYWAY IN BUSHING
- o = MAX METRIC BORE WITH STANDARD KEYWAY



WITH FAN OPERATING AT  
12000 FT/MINUTE BLADE TIP SPEED

DIA	BLADE ANGLE			PERCENT BLADE LOADING		C	D	H
	10°	20°	30°	100%	75%			
5.0'	9.0"	14.0"	19.3"	13.1"	13"	13.5"	6"	16.5"
5.25'	9.0"	14.0"	19.3"	13.2"	13.1"	13.7"	6"	16.5"
5.5'	9.0"	14.0"	19.3"	13.3"	13.1"	13.9"	6"	16.5"
6'	9.0"	14.0"	19.3"	13.6"	13.3"	14.3"	6"	16.5"
6.5'	9.0"	14.0"	19.3"	13.9"	13.6"	14.8"	6"	16.5"
7'	9.0"	14.0"	19.3"	14.2"	13.8"	15.3"	6"	16.5"
7.5'	9.0"	14.0"	19.3"	14.6"	14.1"	15.9"	6"	16.5"
7.67'	9.0"	14.0"	19.3"	14.7"	14.2"	16.1"	6"	16.5"

BUSHING AND/OR AIR SEAL  
CAN BE INSTALLED ON INLET  
OR OUTLET SIDE OF FAN

MAX BLADES	BUSHING TYPE	MAX # BORE	MAX * BORE	MAX o BORE	F	G	L
5	U	2.75"	2.938"	75	2.525"	2.7"	4000