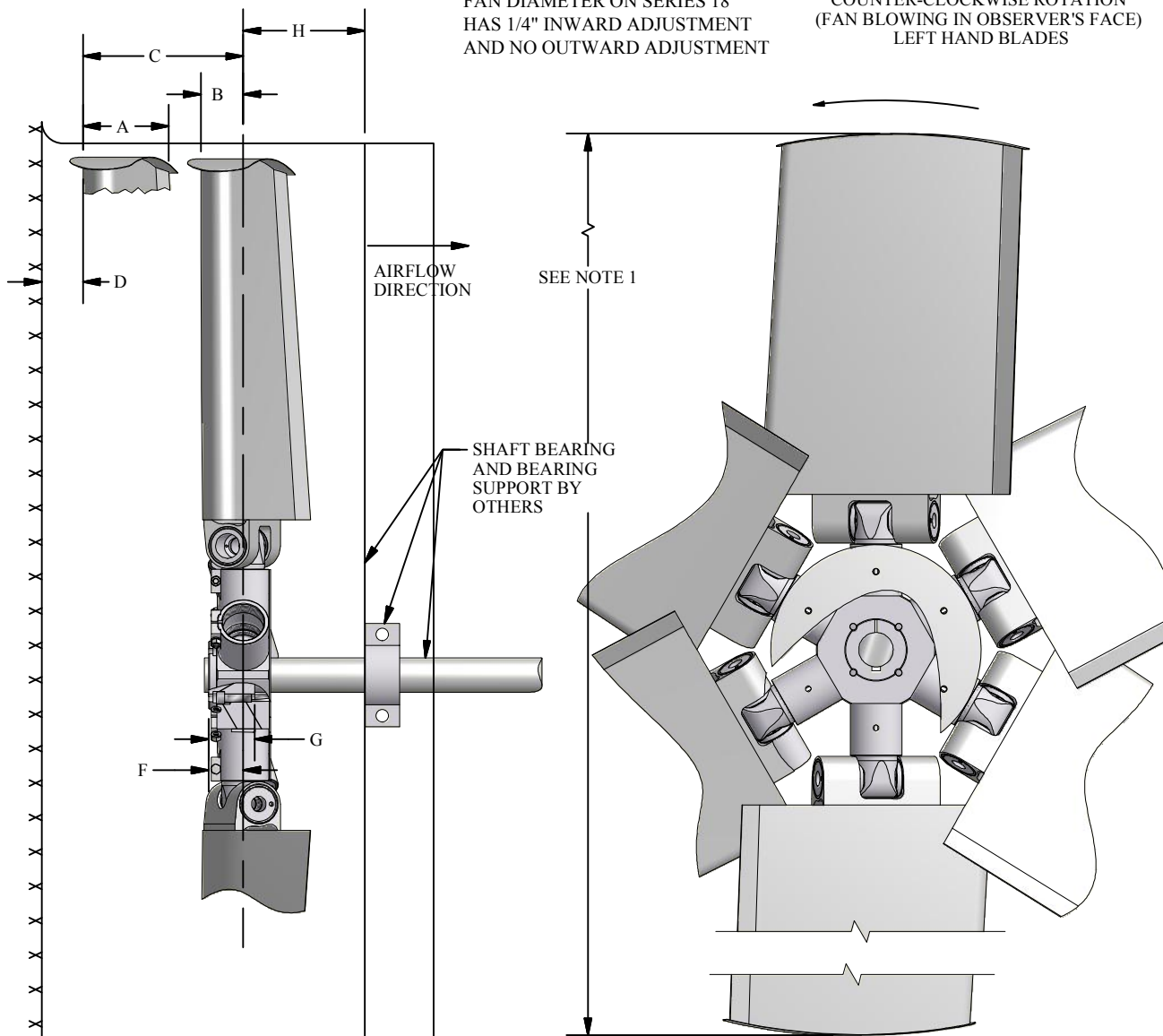


NOTE 1:  
FAN DIAMETER ON SERIES 18  
HAS 1/4" INWARD ADJUSTMENT  
AND NO OUTWARD ADJUSTMENT

COUNTER-CLOCKWISE ROTATION  
(FAN BLOWING IN OBSERVER'S FACE)  
LEFT HAND BLADES



AIRFLOW  
DIRECTION

SEE NOTE 1

SHAFT BEARING  
AND BEARING  
SUPPORT BY  
OTHERS

BUSHING CAN BE INSTALLED ON INLET  
OR OUTLET SIDE OF FAN. AIR SEAL  
MUST BE OPPOSITE OF BUSHING.

MINIMUM ANGLE FOR INSTALLATION  
IS 7° FOR A 5 BLADE FAN AND 13° FOR A 6  
BLADE FAN.

FAN GUARD

- A = BLADE TIP THICKNESS @ 19° BLADE ANGLE
- B = RUNNING POSITION OF BLADES
- C = MAXIMUM DROOP POSITION OF BLADES
- D = MINIMUM OBSTACLE CLEARANCE AT INLET
- F = CENTERLINE OF FAN TO BASE OF BUSHING
- G = BUSHING OVERALL HEIGHT
- H = MINIMUM OBSTACLE CLEARANCE AT OUTLET
- I = NOMINAL MECHANICAL HUB DIAMETER
- L = MAX. BUSHING TORQUE FT. LBS.
- # = WITH S.A.E. STANDARD SQUARE KEYWAY
- \* = WITH SHALLOW KEYWAY IN BUSHING
- ° = MAX METRIC BORE WITH STANDARD KEYWAY

WITH FAN OPERATING  
AT 12000 FT: MINUTE  
BLADE TIP SPEED

PERCENT BLADE  
LOADING~

| DIA | PERCENT BLADE LOADING~ |      | C    | D    | H    |      |
|-----|------------------------|------|------|------|------|------|
|     | 100%                   | 75%  |      |      |      |      |
| 3'  | 5.2"                   | 1.1" | 0.8" | 3.1" | 2.0" | 7.0" |
| 4'  | 4.8"                   | 1.4" | 1.0" | 3.4" | 2.0" | 7.0" |
| 5'  | 4.4"                   | 1.7" | 1.3" | 3.7" | 2.0" | 7.0" |
| 6'  | 4.0"                   | 2.0" | 1.5" | 4.0" | 2.0" | 7.0" |

| MAX BLADES | BUSHING TYPE | MAX # BORE | MAX * BORE | MAX ° BORE | I  | F    | G    | L    |
|------------|--------------|------------|------------|------------|----|------|------|------|
| 6          | U            | 2.750"     | 2.938"     | 75         | 7" | 2.0" | 2.7" | 4000 |



## SERIES 18 HD FAN LEFT HAND ROTATION