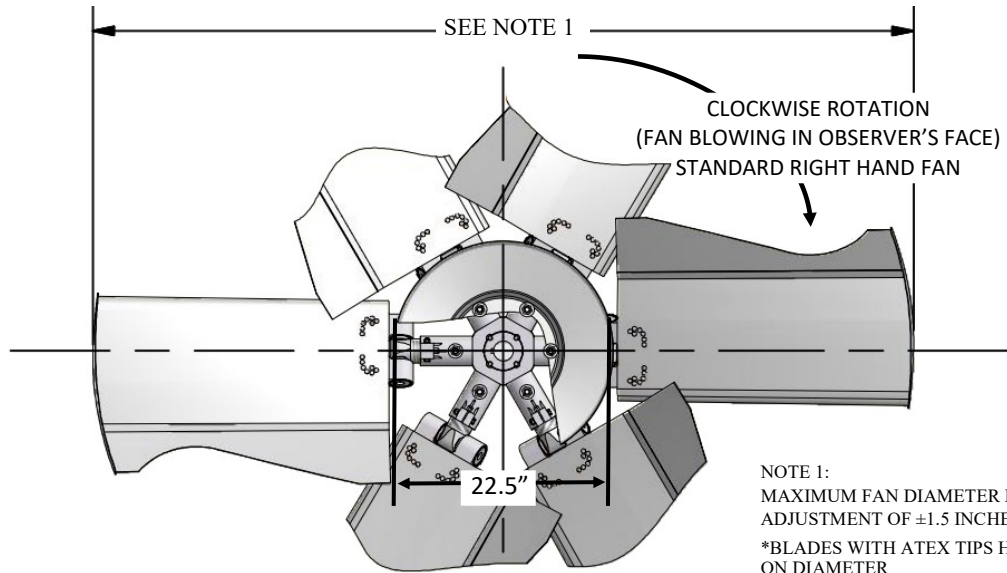


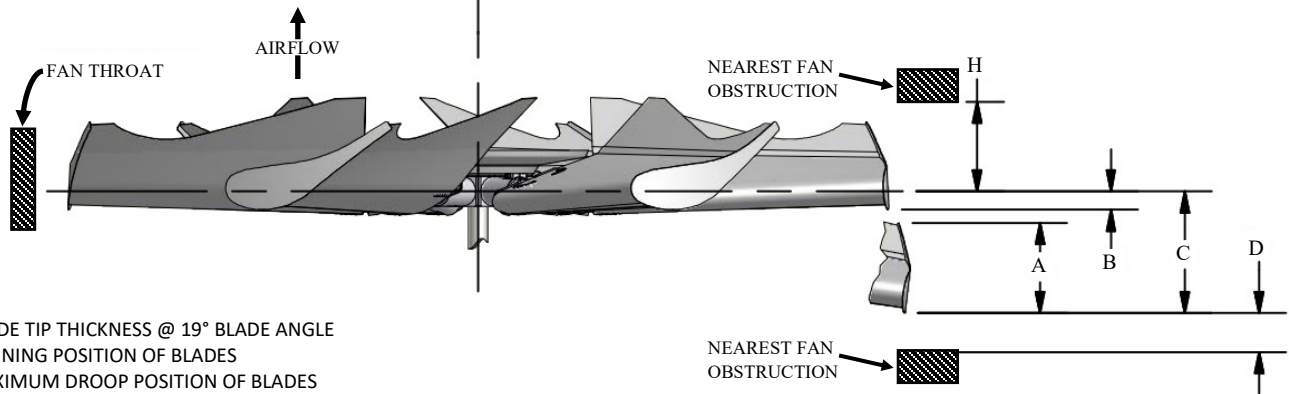
CLASS 10000 HD SERIES 24 EC

EXTENDED CORD, RH ROTATION

Moore
FANS

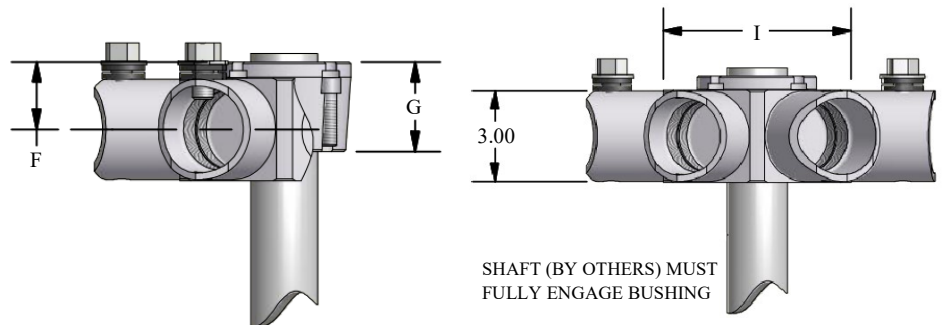


NOTE 1:
MAXIMUM FAN DIAMETER EQUALS NOMINAL FAN DIAMETER.
ADJUSTMENT OF ±1.5 INCHES* POSSIBLE AT INSTALLATION
*BLADES WITH ATEX TIPS HAVE ADJUSTMENT OF -1.0" & +2.0"
ON DIAMETER



- A = BLADE TIP THICKNESS @ 19° BLADE ANGLE
- B = RUNNING POSITION OF BLADES
- C = MAXIMUM DROOP POSITION OF BLADES
- D = MINIMUM OBSTACLE CLEARANCE AT INLET
- F = CENTERLINE OF FAN TO BASE OF BUSHING
- G = BUSHING OVERALL HEIGHT
- H = MINIMUM OBSTACLE CLEARANCE AT OUTLET
- I = NOMINAL MECHANICAL HUB DIAMETER
- L = MAXIMUM BUSHING TORQUE FT. LBS.
- # = WITH S.A.E. STANDARD SQUARE KEYWAY
- * = WITH SHALLOW KEYWAY IN BUSHING
- o = MAX METRIC BORE WITH STANDARD KEYWAY

BUSHING AND/OR AIR SEAL
CAN BE INSTALLED ON INLET
OR OUTLET SIDE OF FAN



**WITH FAN OPERATING AT
12000 FT/MINUTE BLADE TIP SPEED**

**PERCENT BLADE
LOADING**

| | 100% | 75% |
|---|-------|-------|
| A | 7.5" | 7.5" |
| B | 4.5" | 4.4" |
| C | 4.8" | 5.5" |
| D | 2.0" | 2.0" |
| H | 14.0" | 14.0" |

| DIA | A | B | C | D | H | |
|-----|------|------|------|------|------|-------|
| 5' | 7.5" | 4.5" | 4.4" | 4.8" | 2.0" | 14.0" |
| 6' | 7.5" | 4.9" | 4.7" | 5.5" | 2.0" | 14.0" |
| 7' | 7.5" | 5.1" | 5.1" | 6.4" | 2.0" | 14.0" |
| 8' | 7.5" | 5.6" | 5.6" | 7.5" | 2.0" | 14.0" |

| MAX BLADES | BUSHING TYPE | MAX # BORE | MAX * BORE | MAX o BORE | I | F | G | L |
|---------------|-----------------|------------------|------------------|------------------|----|------|------|------|
| 6 | U | 2.750" | 2.938" | 75 | 7" | 2.0" | 2.7" | 4000 |
| 8 | U | 2.750" | 2.938" | 75 | 9" | 2.0" | 2.7" | 4000 |