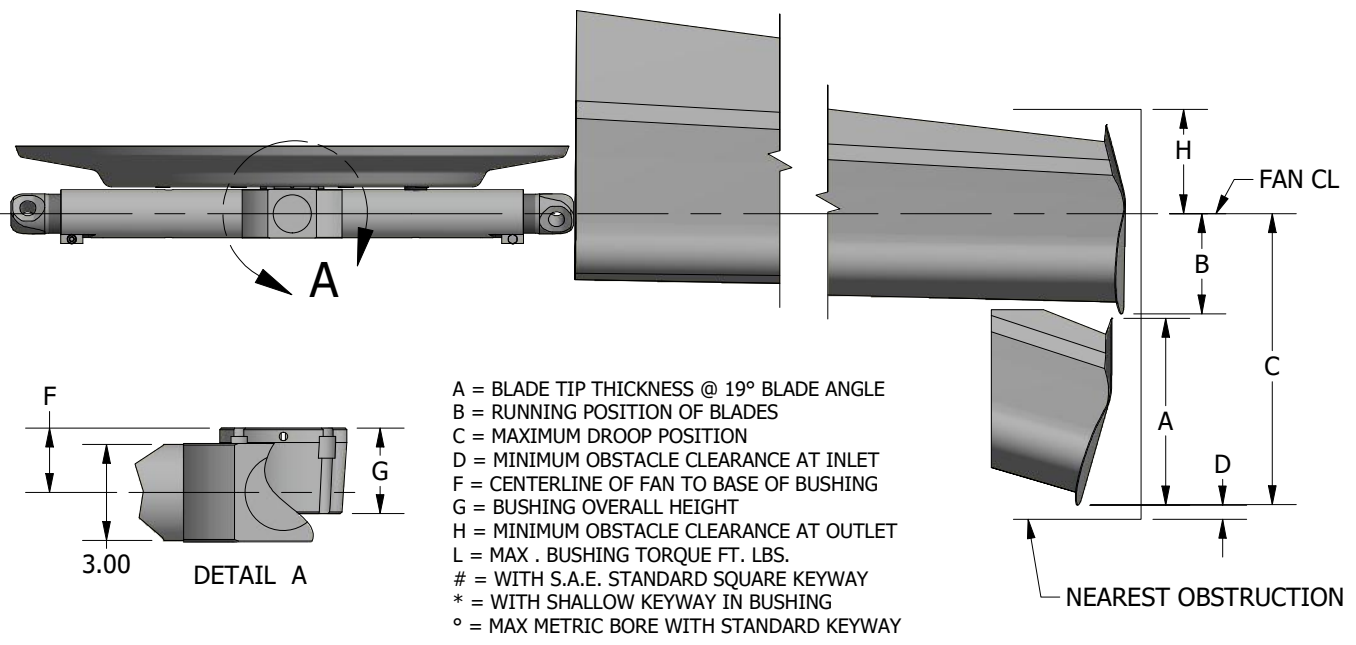


BLADES ARE NOT TO SCALE

NOTE 1:
 MAXIMUM FAN DIAMETER (BLADES HORIZONTAL - AS SHIPPED) EQUALS NOMINAL FAN DIAMETER. ADJUSTMENT OF ±1.5 INCHES* POSSIBLE AT INSTALLATION



DIA	BLADE LOAD					
	A	B	B	C	D	H
7.5'	14.9"	6.3"	5.9"	7.1"	4.0"	16"
8'	14.6"	6.6"	6.1"	7.6"	4.0"	16"
9'	13.9"	7.2"	6.5"	8.6"	4.0"	16"
10'	13.2"	8.0"	7.1"	9.9"	4.0"	16"
11'	12.5"	8.9"	7.7"	11.3"	4.0"	16"
12'	11.8"	9.9"	8.4"	12.8"	4.0"	16"
13.5'	10.8"	11.6"	9.7"	15.6"	4.0"	16"

MAX BLADES	BUSHING TYPE	F	G	L	MAX * BORE	MAX # BORE	MAX ° BORE
7	U	2.0"	2.7"	4000	2.938"	2.750"	75
7	W	2.2"	2.8"	7300	4.000"	3.750"	100



SERIES 30 HD FAN XC RIGHT HAND ROTATION