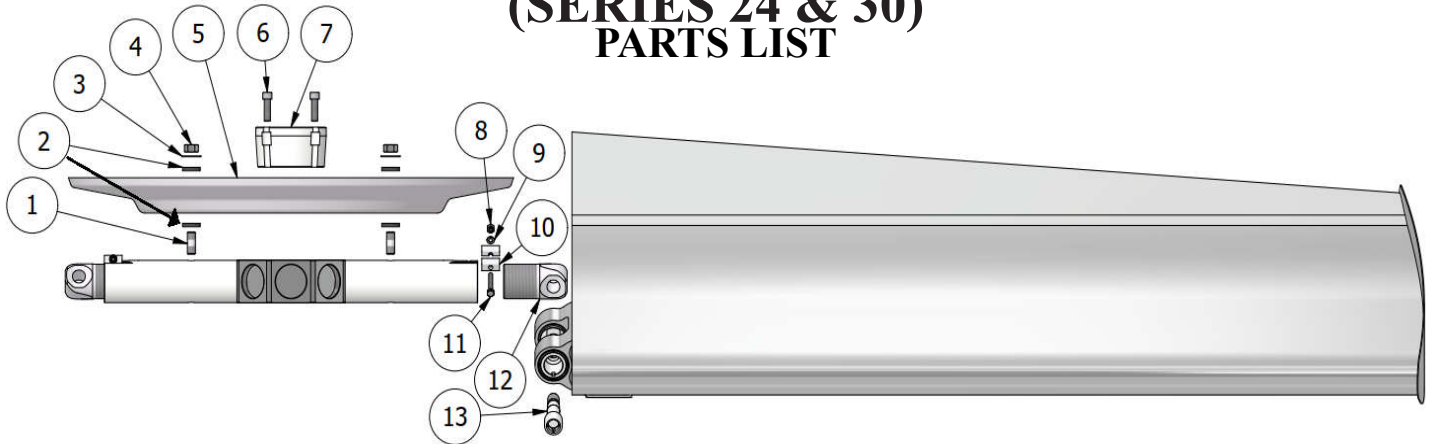




CLASS 10000 HIGH SPEED HD SC (SERIES 24 & 30) PARTS LIST



DWG. NO.	PART NUMBER	DESCRIPTION
1	3033	16 MM AIRSEAL STUD
2	52	5/8" RESILIENT WASHER
3	151	5/8" ALUMINUM FLAT WASHER
4	169	16MM ALUMINUM NUT
5		AIR SEAL
6	4153 4154 4159	BUSHING CAP SCREW: 12MM HEX FOR U BUSHING (4) 16MM HEX FOR W BUSHING (4) 16MM HEX FOR Z BUSHING (8)
7		BUSHING: U(4") W(5.5") Z(7")
8	1625	10MM SS CLAMP NUT
9	5816	10MM SS CLAMP LOCK WASHER
10	20291	RD ROD END CLAMP
11	20295	10MM SS CLAMP BOLT
12	2883	CLASS 10000 HD ROD END
13	2886	24MM ALUMINUN BLADE BOLT